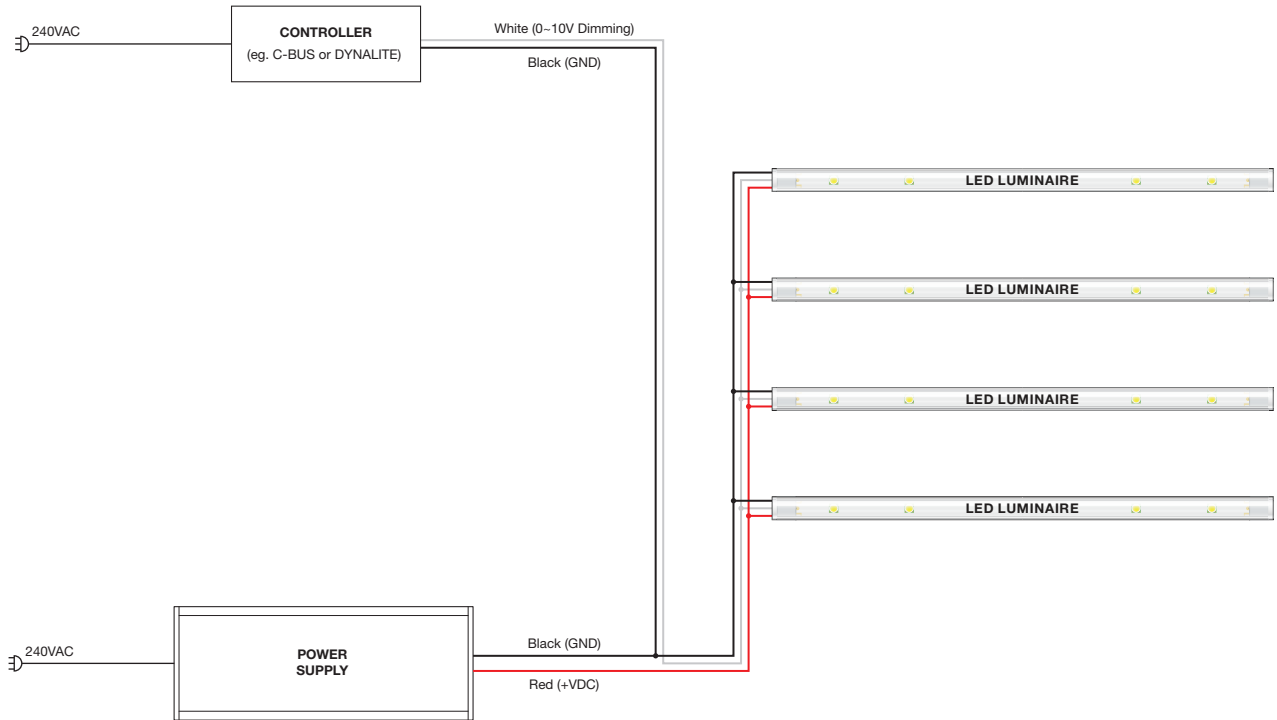
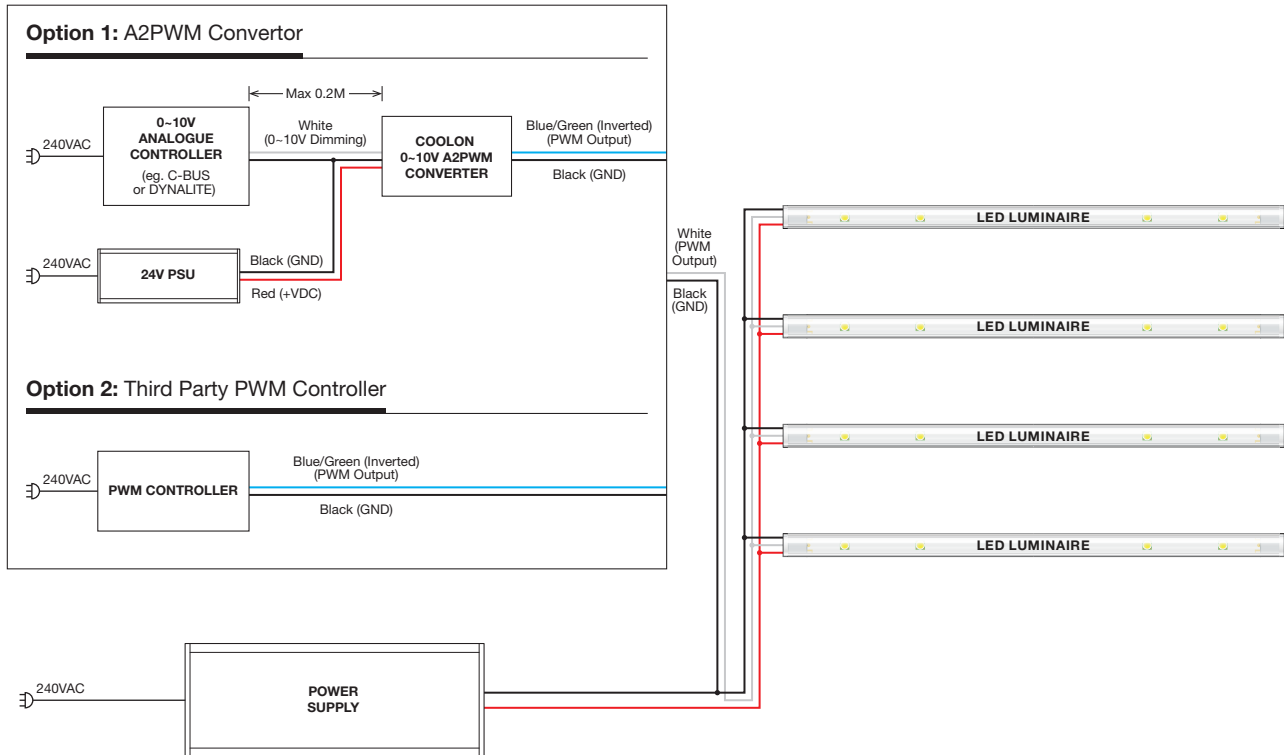


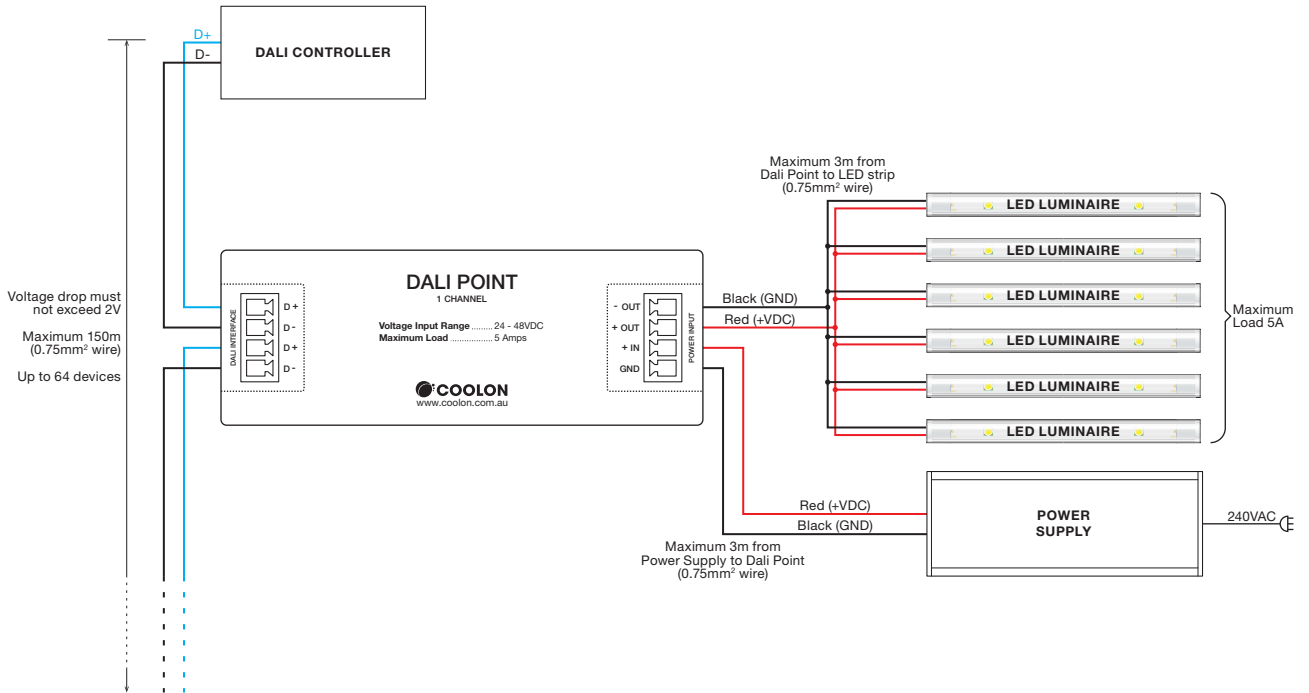
**ANALOGUE 0-10V DIMMING**



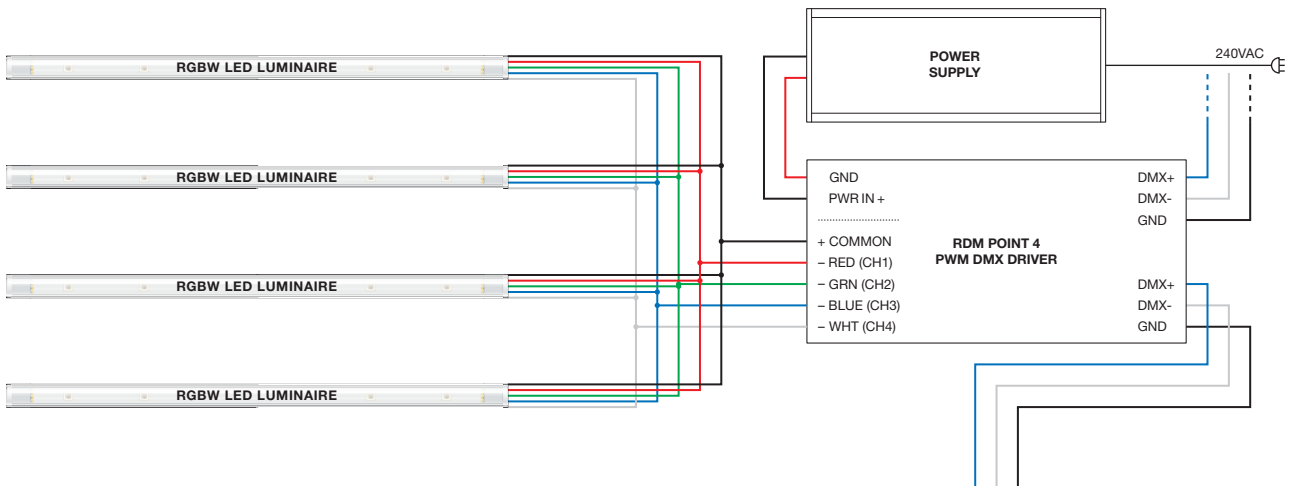
**PWM DIMMING**

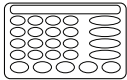


**DALI DIMMING**



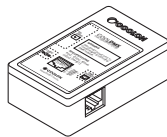
**RGB CONTROL**





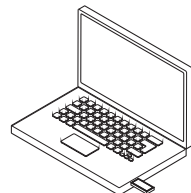
**Option 1**

Control Panel



**Option 2**

Cool DMX Player



**Option 3**

Remote Access Control