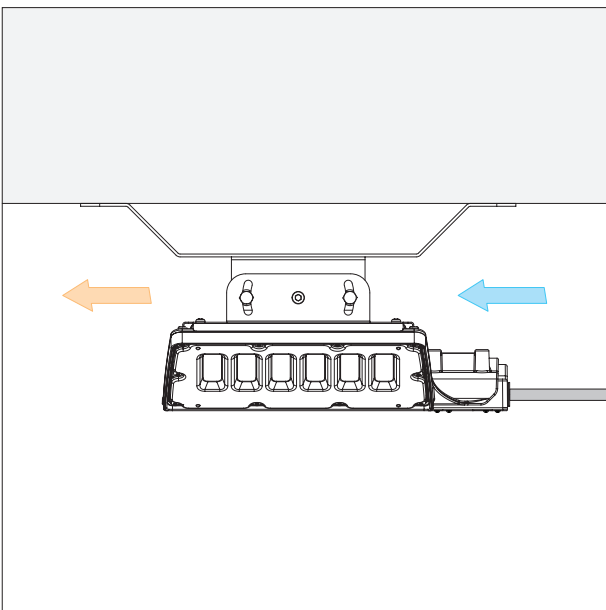


INSTALLATION INSTRUCTIONS

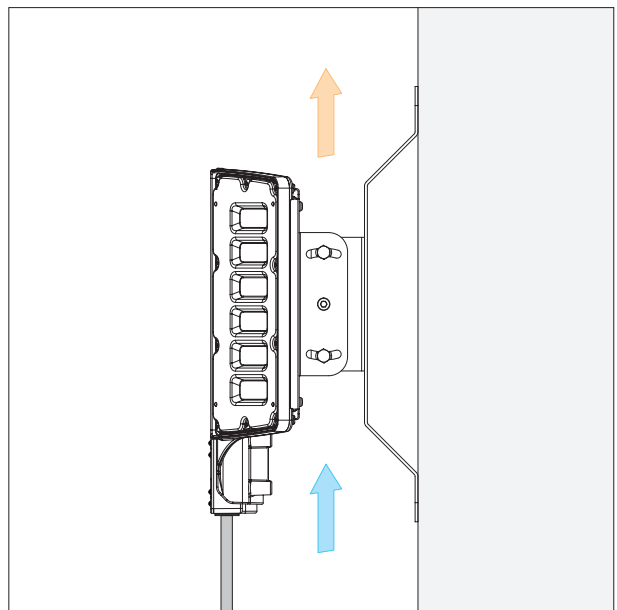
Step 1

Choose luminaire position and orientation.

When choosing the location of Tunnel Ray luminaire, please ensure that sufficient clearance is allowed for the airflow through the heatsink. Avoid blocking the air vents.



Horizontal Mounting

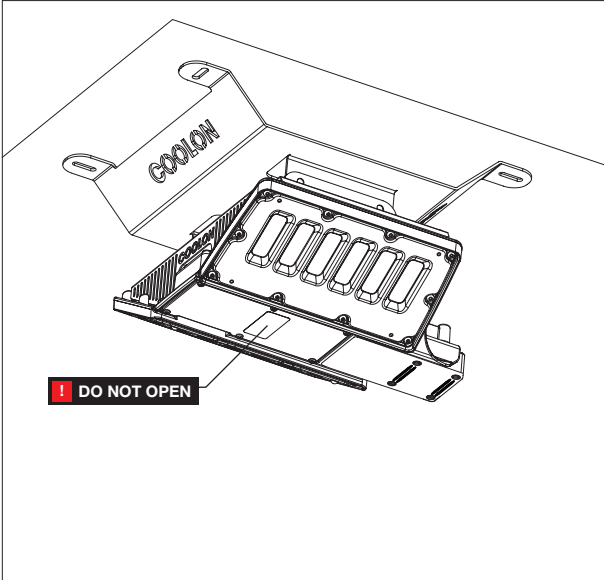


Vertical Mounting

INSTALLATION INSTRUCTIONS (Continued)

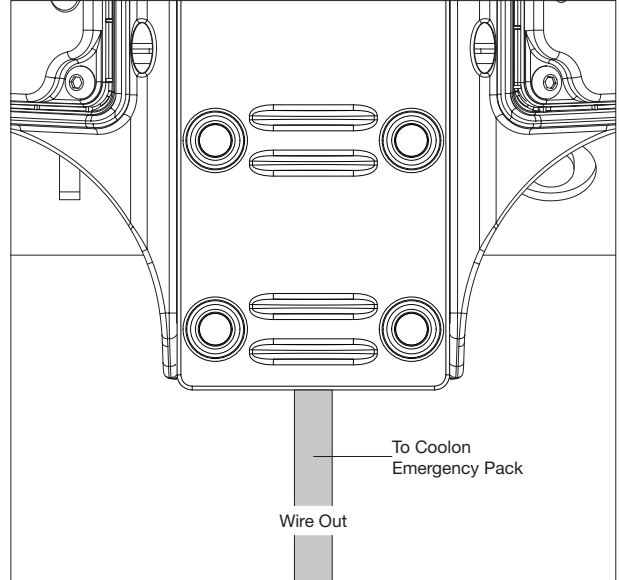
Step 2

Securely mount the Tunnel Ray Luminaire.



Step 3

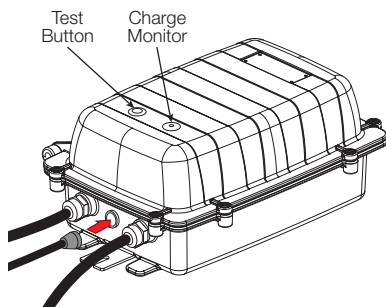
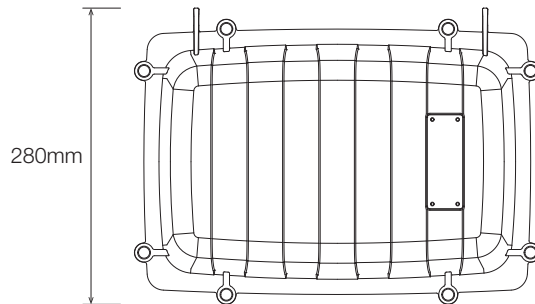
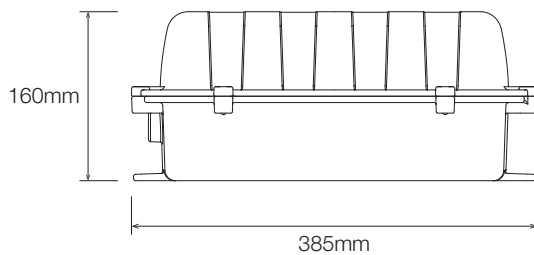
Connect the Luminaire cable to the Coolon Emergency Pack.



Step 4

Wire Emergency Pack according to the instructions provided with the unit.

Emergency Power Pack



Turn the Unit Isolation Switch to the "ON" position. Close Emergency Battery unit and secure. Plug Luminaire connector into the Emergency Battery unit.

Testing Connection

When unit is first connected, the Emergency battery will commence charging.

During mains presence the unit Charge Monitor will illuminate red.

To test the connection, press the Test Button. When pressed, the Charge Monitor will turn off and the luminaire will illuminate.

If luminaire does not illuminate when button is pressed, please check the wiring.

If Charge Monitor is not illuminated while Test Button is not pressed and mains is present, please check the Unit Isolation Switch is not in the "OFF" position. If Unit Isolation Switch is in the "ON" position, please check the wiring.