

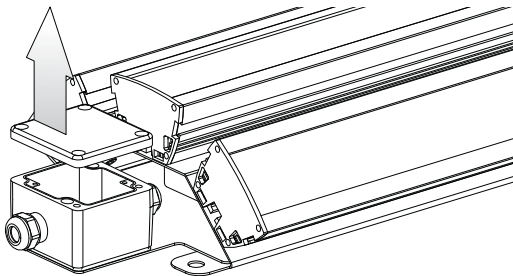
Standard Version

Stainless Steel Version

INSTALLATION INSTRUCTIONS

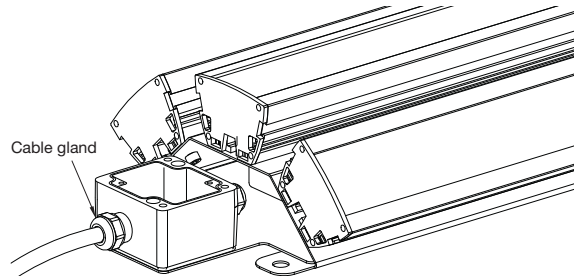
Step 1

Open up the junction box



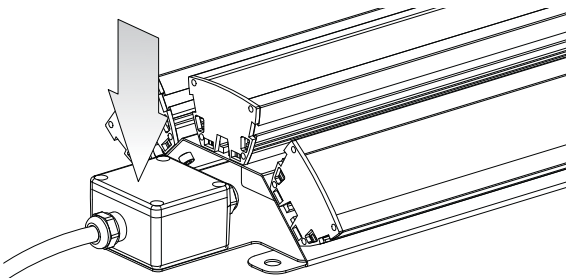
Step 2

Feed the cable through the cable gland and wire the connections.



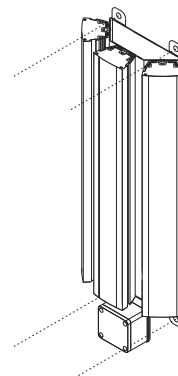
Step 3

Close and secure the junction box and then tighten the cable gland.



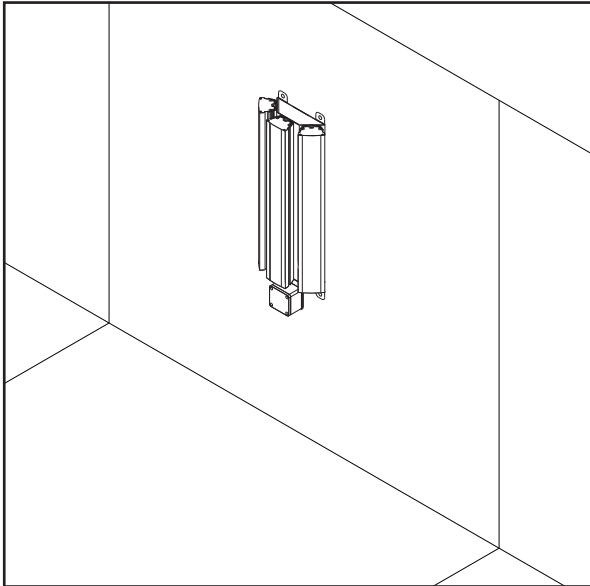
Step 4

Secure the Tunnel LED fitting to the wall using the 4 mounting holes.

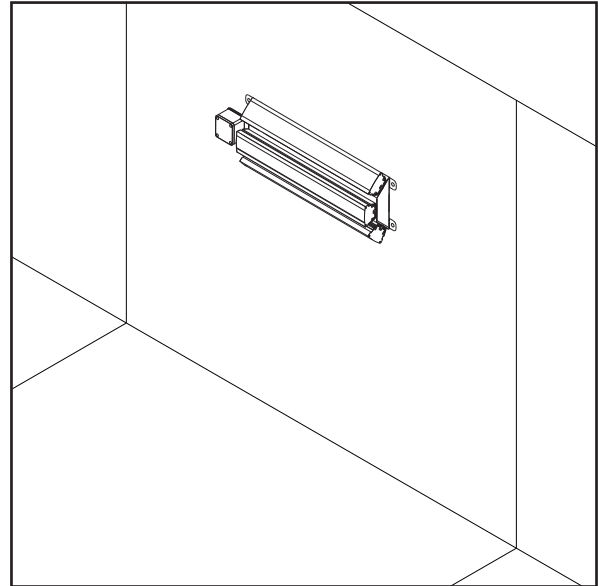


MOUNTING CONFIGURATIONS

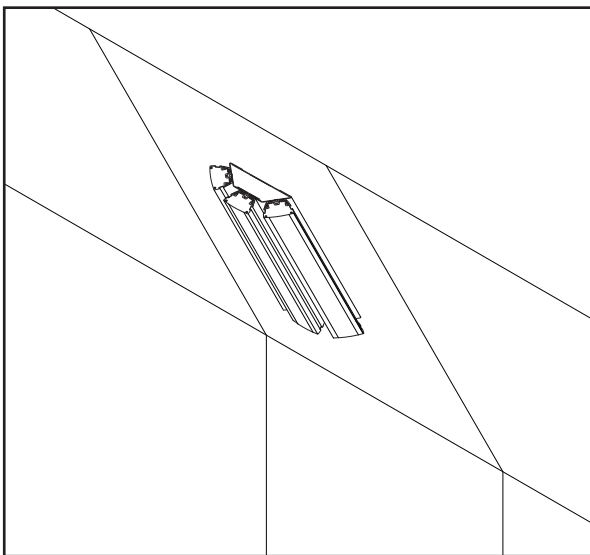
For optimal light distribution, the Tunnel LED should be mounted vertically.



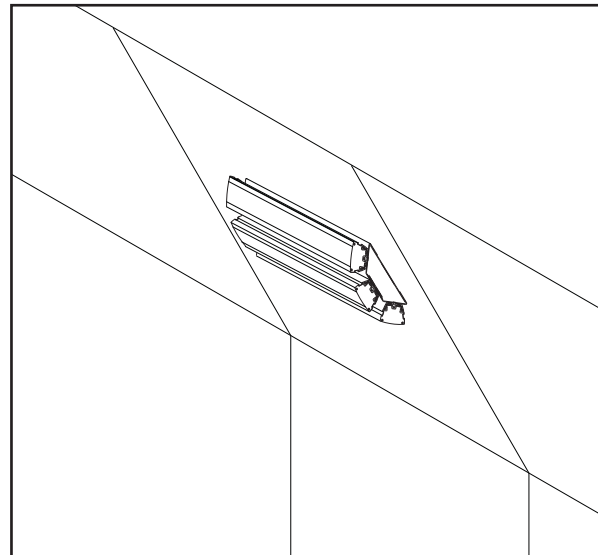
✓ Correct mounting position



✗ Incorrect mounting position



✓ Correct mounting position



✗ Incorrect mounting position