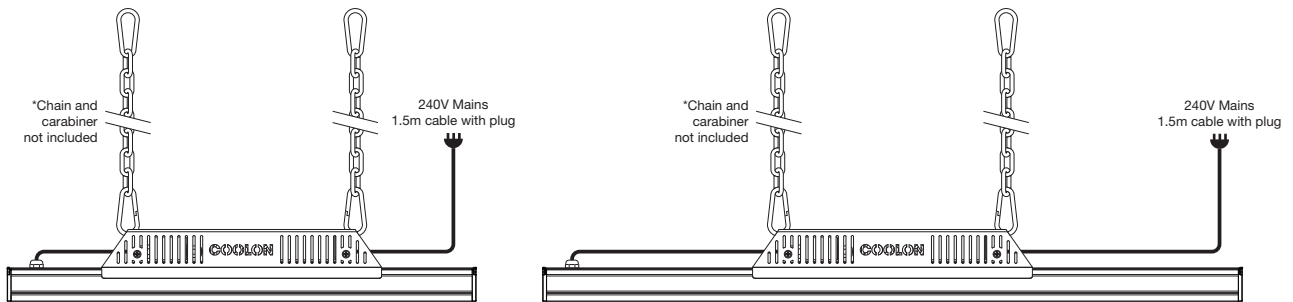


**INSTALLATION INSTRUCTIONS**

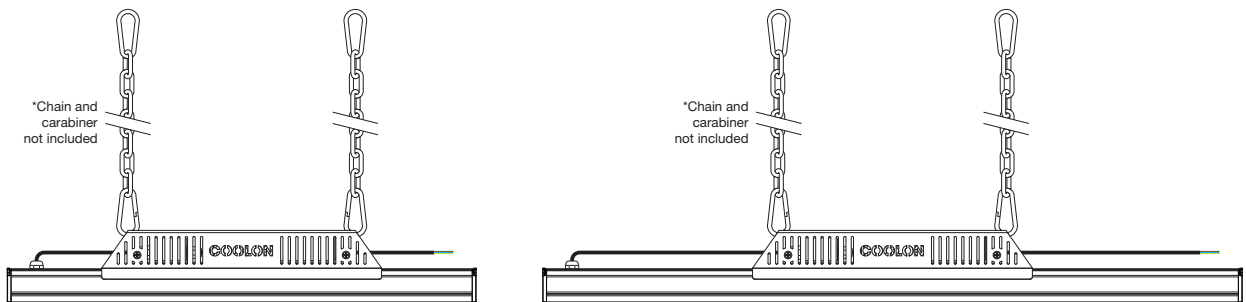
**Units supplied with mains plug**

Suspend fitting and connect to mains terminal.



**Units supplied without mains plug**

Suspend fitting as required. Mains wires exposed. Suitable mains connection to be wired in on site.



**Wiring**

