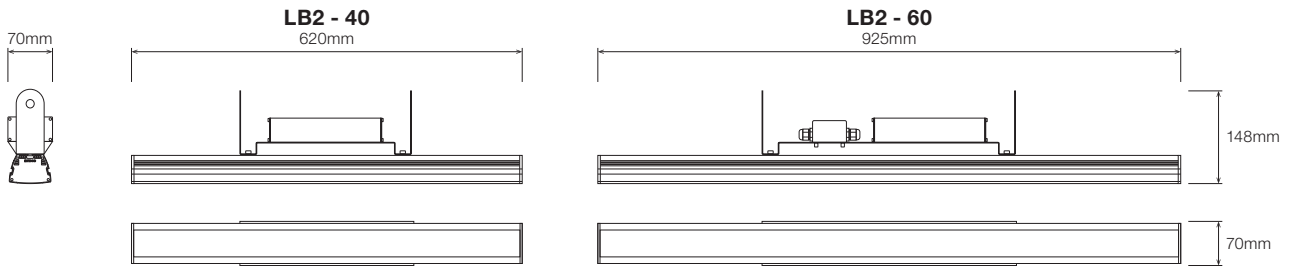
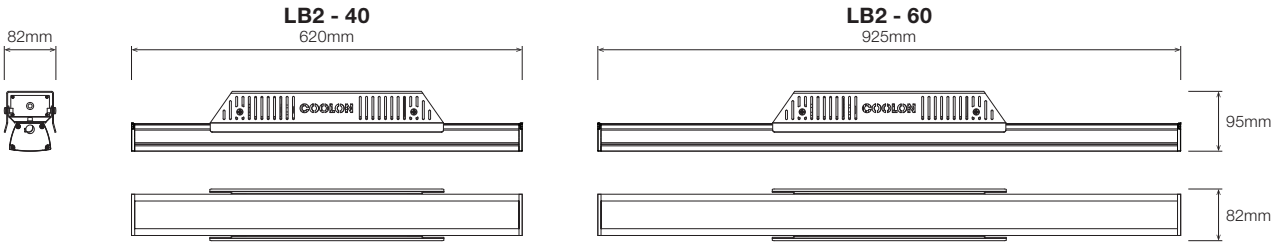


LB2 Low Bay Luminaire with Suspended Bracket



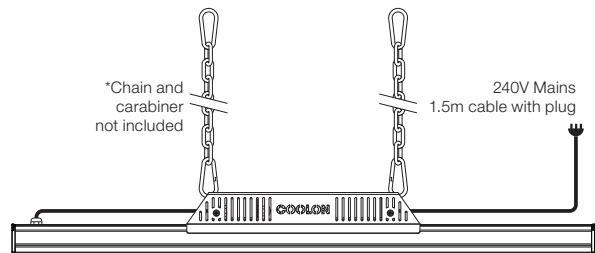
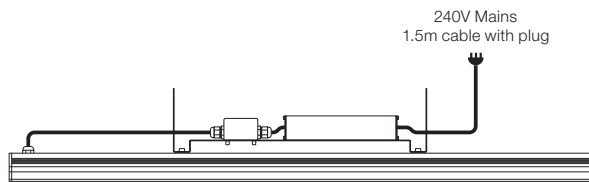
LB2 Low Bay Luminaire with Stainless Steel Hood



INSTALLATION INSTRUCTIONS - SUSPENDED

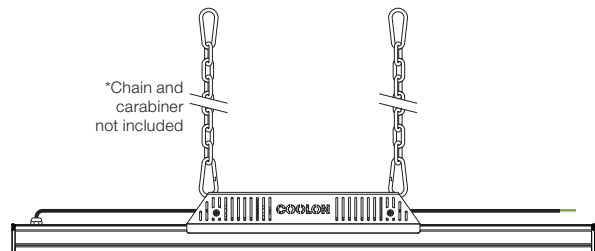
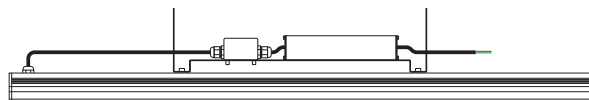
Units supplied with mains plug

Suspend fitting and connect to mains terminal.



Units supplied without mains plug

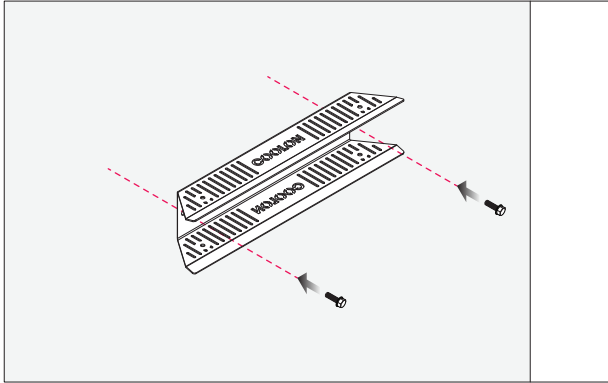
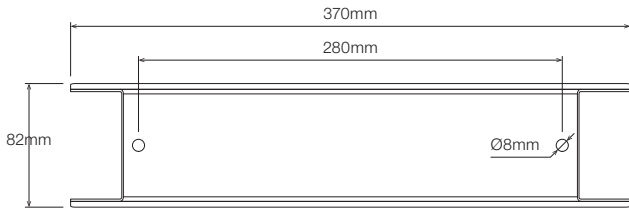
Suspend fitting as required. Mains wires exposed. Suitable mains connection to be wired in on site.



INSTALLATION INSTRUCTIONS - SURFACE MOUNTED

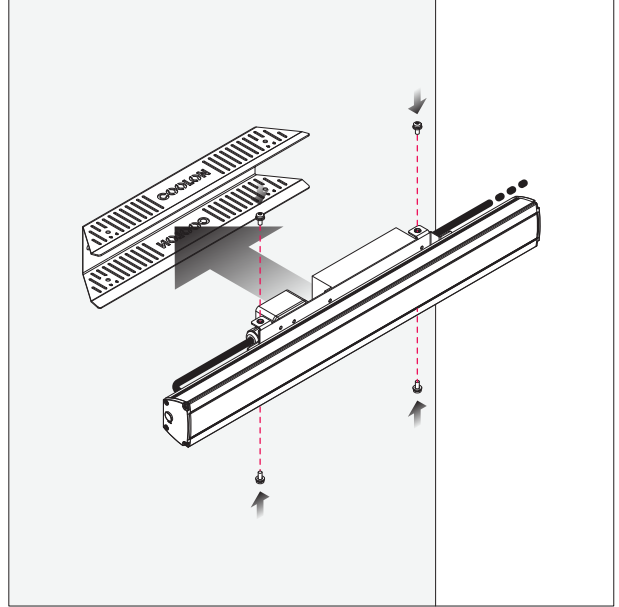
Step 1

Mount stainless steel hood to surface using 2x M8 bolts.



Step 2

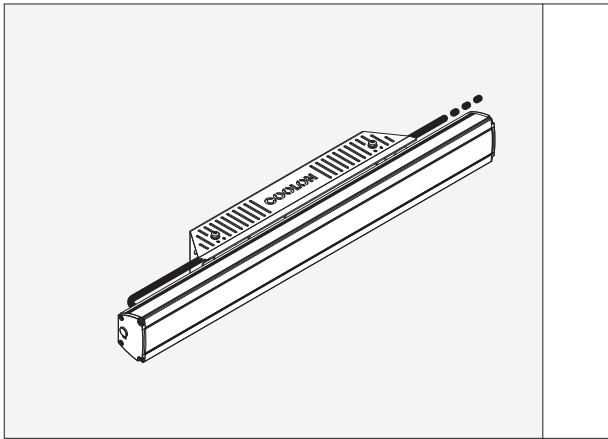
Secure Low Bay fitting to stainless steel hood using 4x screws.



Step 3

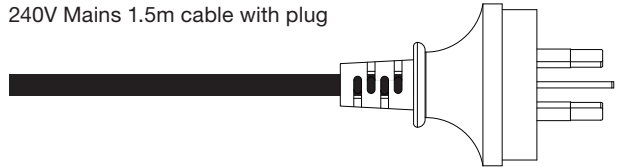
If unit is supplied with a mains plug, connect to mains terminal.

If unit is supplied without mains plug, with mains wires exposed, suitable connection is to be wired on site.



Mains Plug

240V Mains 1.5m cable with plug



Without Mains Plug

