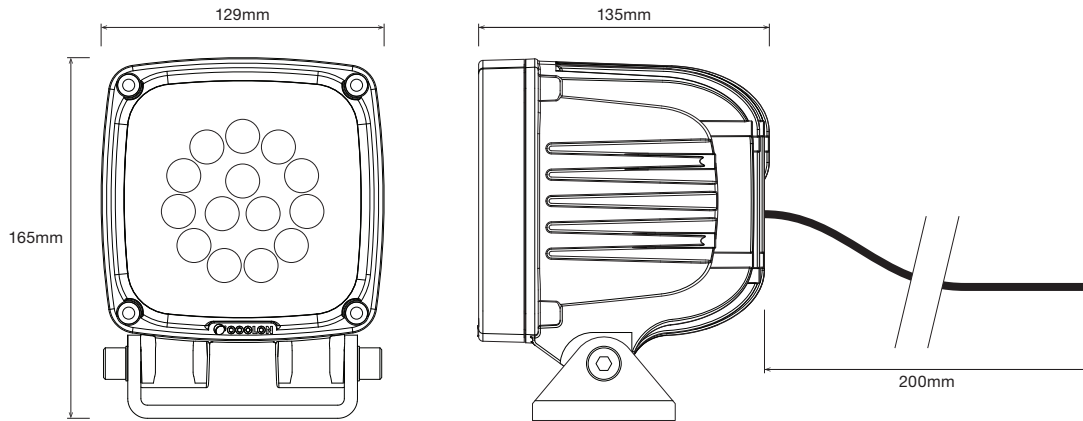


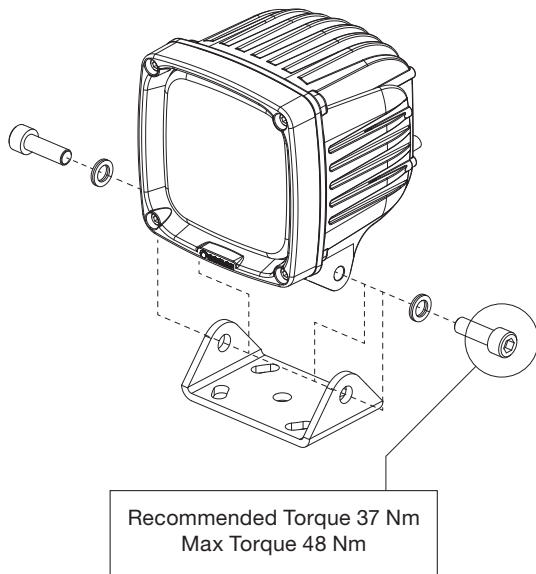
CP14-UG Luminaire w/ Standard Bracket



INSTALLATION INSTRUCTIONS

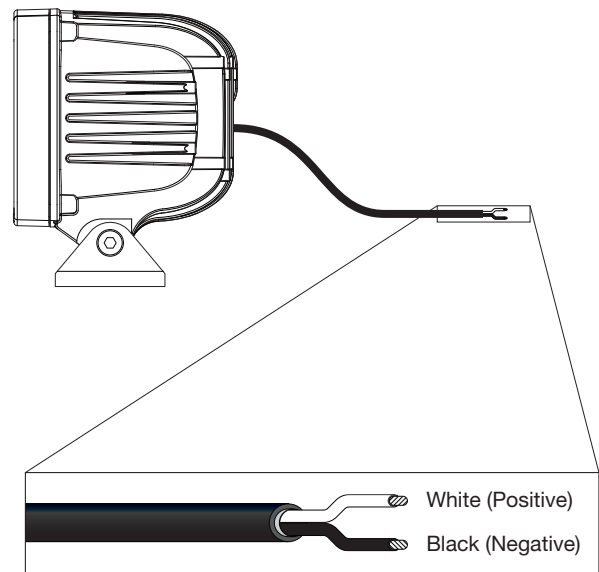
Step 1

Adjust the mounting angle and secure the CP14-UG lamp to the mounting bracket using the Norlock Washers and M10 hex screws.



Step 2

Connect to compatible Power Supply.



SUPPLY VOLTAGE VS POWER

