

 COOLON

Solar Pod

100W/200W Solar Enclosure

The Solar Pod is manufactured in Australia to ensure the highest standards and quality assurance. The system allows for the solar panel and control gear to be safely mounted up to 10 meters away from the luminaire. This is the ultimate in standalone solar power with simple installation, no power bills, no grid connection.

Coolon proudly stands by Australian designed, engineered and manufactured lights. Our partner Solar Power Australia having experience in solar powered commercial lighting, allows us to combine the best quality, most appropriate components into a practical and robust lighting solution.

The range of products available allows it to be well-adopted for almost any application.

Designed for use in:


- Area Lighting
- Container Lighting





Simple Installation

The Solar Pods are designed for long life and easy installation. They are manufactured for use with heavy duty skids.



Immune to Power Outages

Power outages can be costly due to the downtime, solar energy which comprises of radiant light from the sun can be harnessed to keep you operating no matter the conditions.



ENVIRONMENTALLY FRIENDLY

The Solar Pod produces very little pollution, has no environmental effects and is ecologically acceptable. The Solar Pod is fitted with the most technologically advanced lighting to reduce your ecological footprint.



INSTANT ON/OFF

LEDs do not require warm up. Instant on to 100% output translates to no downtime, improved safety and the ability to utilize sensor switching to significantly save energy.



VERSATILITY

This system is able to be customized to your lighting requirements and can be fitted with various Coolon LED fittings for your desired performance. High powered reliable self-contained unit for customized lighting.

IP56

HIGH IP RATING - IP56

The Solar Pod is designed specifically to withstand the harsh conditions in mining environments. The robust design allows our LED products to be used in many different applications and are high pressure washable.



EASY TO INSTALL

The Solar Pods are designed for long life and easy installation. They are manufactured for use with heavy duty skids.



EXTRA LOW VOLTAGE OPERATION

Our products operate on extra low voltage DC power. It is substantially safer to work with than conventional mains powered light sources.

3
YEARS

3 YEARS FACTORY WARRANTY

Coolon luminaires are covered by a solid comprehensive manufacturer's warranty that covers a range of possible defects and performance parameters throughout the duration of the warranty period.

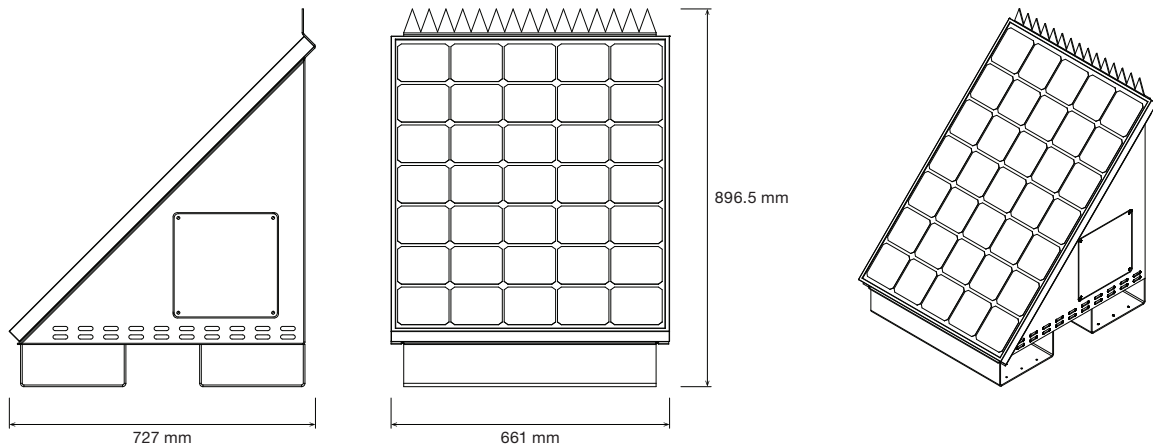


PROUDLY MADE IN AUSTRALIA

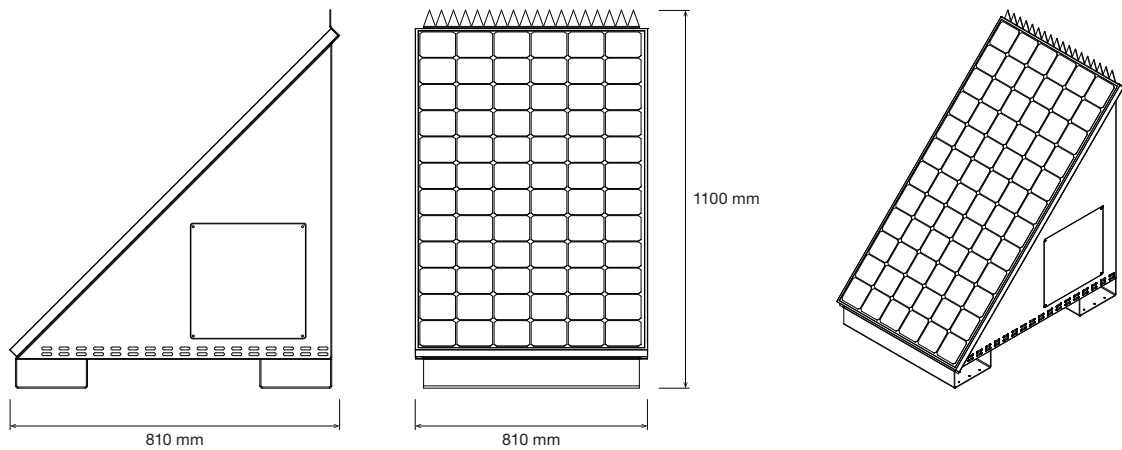
Our products are designed and manufactured in Australia. Engineered to perfection, using only the highest quality components and highly skilled labour, each luminaire is assembled and thoroughly tested to ensure that it exceeds the highest standards.

DIMENSIONS

SS-100



SS-200



TECHNICAL SPECIFICATIONS

Make/Model

Model	SS-100	SS-200
Solar Panel	24V 200W Monocrystalline High Efficiency	
Power Storage	2 x 12/24 Volt 55 AH 20 hour rate	2 x 12/24 Volt 85 AH 20 hour rate
Enclosure	Light Weight Marine Grade Aluminum	
Weight	55kg	90kg

Controller

Environmental Rating	IP54
Type / Brand	Driver, timer, and charge discharge control
Warranty	3 Year manufacturers

Batteries

Type	VRLA Maintenance Free	
Operation / Design Life	8 – 10 years	
Warranty	1 – 2 years	
Capacity Rating	12 Volt 55 AH 20 hour rate	12 Volt 85 AH 20 hour rate

Panel

Peak Power (Wp)	200
Vmax (V)	38.8
Imax (A)	5.52
Voc. (V)	42.2
Isc. (A)	5.95

SS-100 POWER OUTPUT CAPABILITIES

Time Charged	One Day		Two Days		Three Days		Four Days	
	Amps	Watts	Amps	Watts	Amps	Watts	Amps	Watts
Run Time per Day								
0.5	20	480	40	960	45	1080	50	1200
1	17.5	420	30	720	40	960	40	960
2	10	240	15	360	20	480	20	480
3	7.5	180	11	264	13.3	320	13.3	320
4	5	120	10	240	10	240	10	240
5	3.2	77	8.1	195	8.1	195	8.1	195
6	2.7	64.8	6.66	160	6.66	160	6.66	160
7	2.14	51.4	5.2	125	5.2	125	5.2	125
8	1.87	44.8	5	120	5	120	5	120
9	1.66	39.8	4.1	99	4.1	99	4.1	99
10	1.5	36	3.5	84	3.6	84	3.6	84
15	1.2	28.8	2.3	55	2.3	55	2.3	55

- 24V 2x 55Ah batteries
- 100W 12V Solar 12-24
BMPPT Charge Controller
- Current over 18A **MUST BE**
run through an additional relay
shown in **AMPS/WATTS**

SS-200 POWER OUTPUT CAPABILITIES

Time Charged	One Day		Two Days		Three Days		Four Days	
	Amps	Watts	Amps	Watts	Amps	Watts	Amps	Watts
Run Time per Day								
0.5	40	960	80	1920	90	2160	100	2400
1	35	840	60	1440	80	1920	80	1920
2	20	480	30	720	40	960	40	960
3	15	360	22	528	26.6	640	26.6	640
4	10	240	20	480	20	480	20	480
5	6.4	154	16.2	390	16.2	390	16.2	390
6	5.4	129.6	13.32	320	13.32	320	13.32	320
7	4.28	102.8	10.4	250	10.4	250	10.4	250
8	3.74	89.6	10	240	10	240	10	240
9	3.32	79.6	8.2	198	8.2	198	8.2	198
10	3	72	7	168	7.2	168	7.2	168
15	2.4	57.6	4.6	110	4.6	110	4.6	110

- 24V 2x 85Ah batteries
- 200W 24V Solar Roc Solid
MPPT Charge Controller
- Current over 18A **MUST BE**
run through an additional relay
shown in **AMPS/WATTS**

ORDERING EXAMPLE

SP - 100 - SKID

PRODUCT TYPE MOUNTING

PRODUCT	TYPE	MOUNTING
Solar Pod	100 100W	SKID Skid Mount
	200 200W	