



DIMMER LOGIC

Rotary Wall-Mount LED Controller

Coolon Dimmer Logic is the simplest wall-mount LED controller for architectural applications. Designed to complement Coolon's architectural LED fixture range with smooth dimming in a convenient small package to fit standard electrical face plates.





COMPACT

Dimmer Logic controller is designed to suit LED applications where using luminaires with PWM (brightness) control input. A compact design allows it to be installed as a standard electrical faceplate.

RELIABLE

Coolon LED drivers are designed and built to the highest standards and offer high-performance, reliability and efficiency supported by our 3 years standard warranty or up to 5 years extensive warranty.



SIMPLE

Easy wiring using screw terminals, making on-site installations free of specialized tools or crimping.

CONVENIENT

It will turn a wide variety of LED luminaires into a remote dimmable fitting using a smooth rotary knob. Compact yet highly capable, Dimmer Logic will control suitable luminaires from 3 ~ 98% range.

■ TECHNICAL SPECIFICATIONS

Product Code	CTR-DIMMERLOGIC
Description	Rotary Wall-Mount LED Controller
Device Type	Rotary potentiometer input, PWM control output (suitable for LED products with inbuilt brightness control line)
Solid State Output	PWM signal, Push-pull
PWM Frequency	305 Hz
Dimming Range	3 ~ 98%
Load/ Supply Voltage	12 ~ 48V DC
Power Consumption	0.25W
Enclosure	Plastic Enclosure (Fully Isolated)
IP Rating	IP20
Working Temperature	-10 ~ 50°C
Connection	Screw terminals

■ APPLICATIONS

Dimmer Logic can be used to remotely control a variety of Coolon LED luminaires. Most popular applications are:

Architectural Lighting	Ceilings	Commercial Lighting
Coves	Offices	

■ COMPATIBILITY

Suitable to use with the following Coolon Products:

Aduro	Aduro X2	Aris
Beam	DLX	Electro
Max Mini	Maxis	Primo
Primo CC	Primo X2	Recess 60

■ FEATURES



Protected against solid objects greater than 12mm. No Protection against liquids.

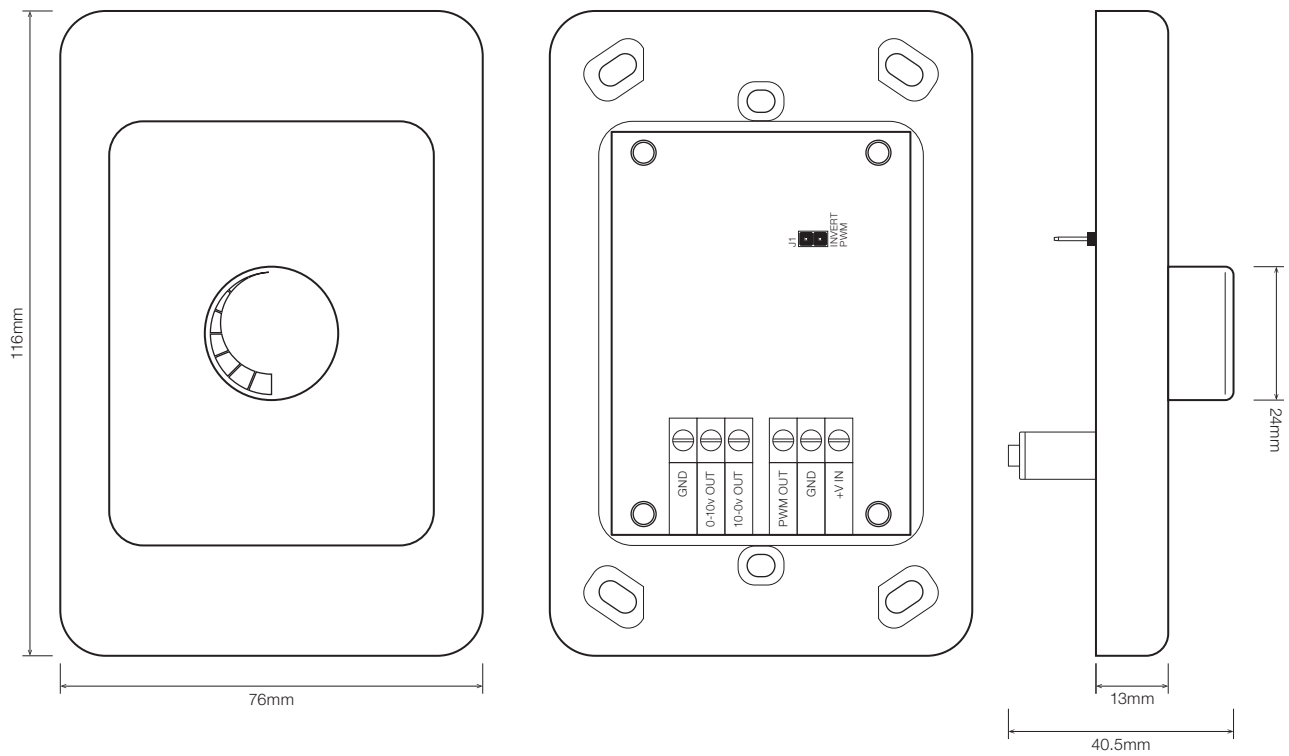


Coolon Controllers are covered by a solid comprehensible 3 year manufacturer's warranty.

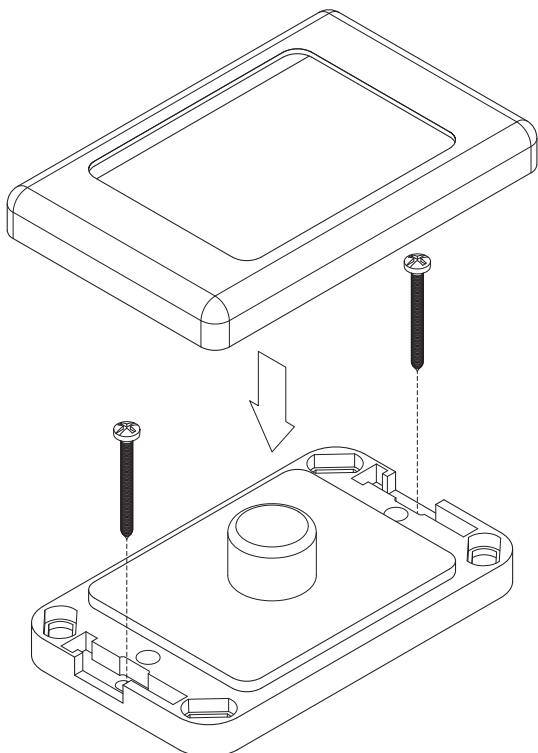


Our products are designed and manufactured in Australia to ensure the highest standards.

▪ DIMENSIONS



▪ INSTALLATION INSTRUCTIONS



STEP 1

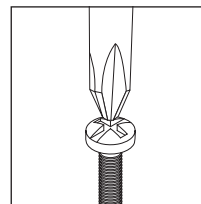
Connect all wires to the screw terminals

STEP 2

Place Dimmer in facial plate slot

STEP 3

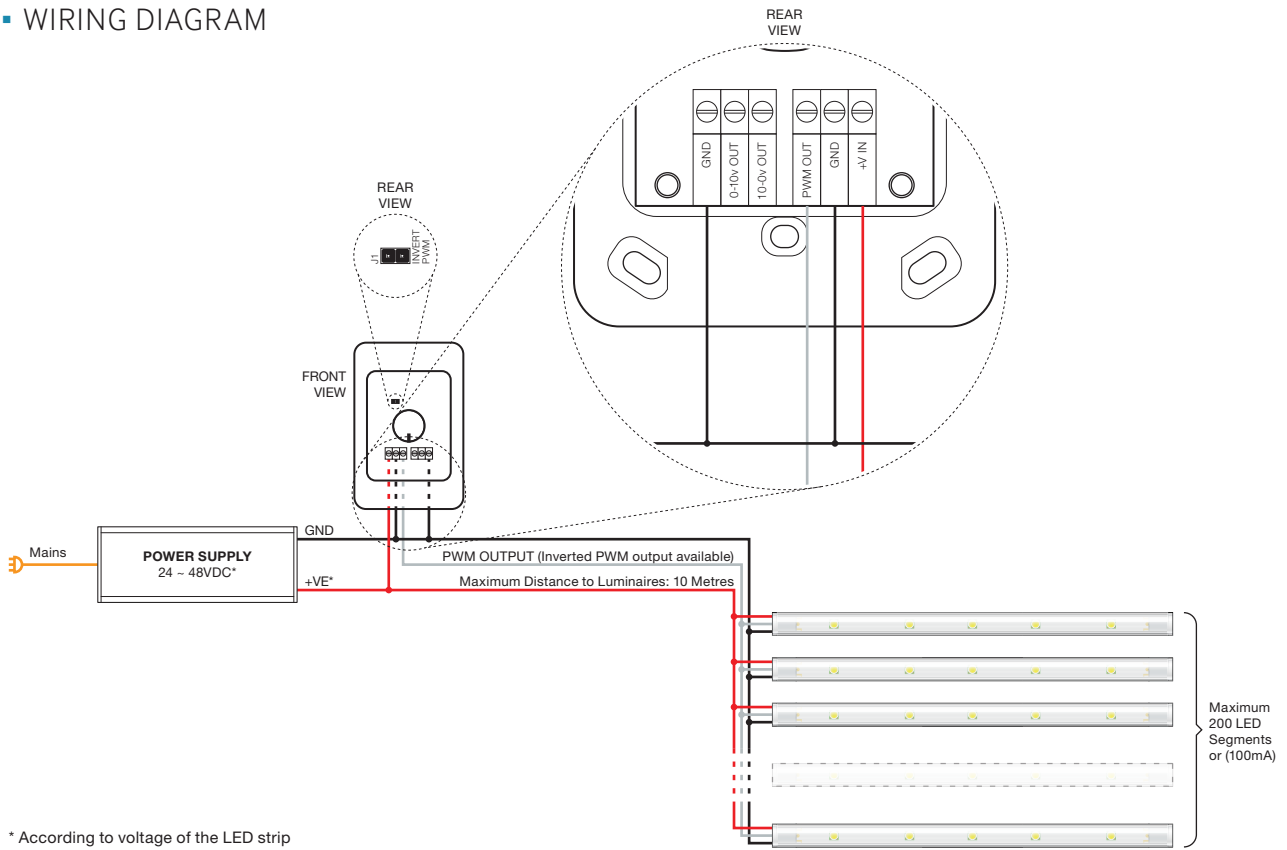
Secure fasteners with a Philips screwdriver



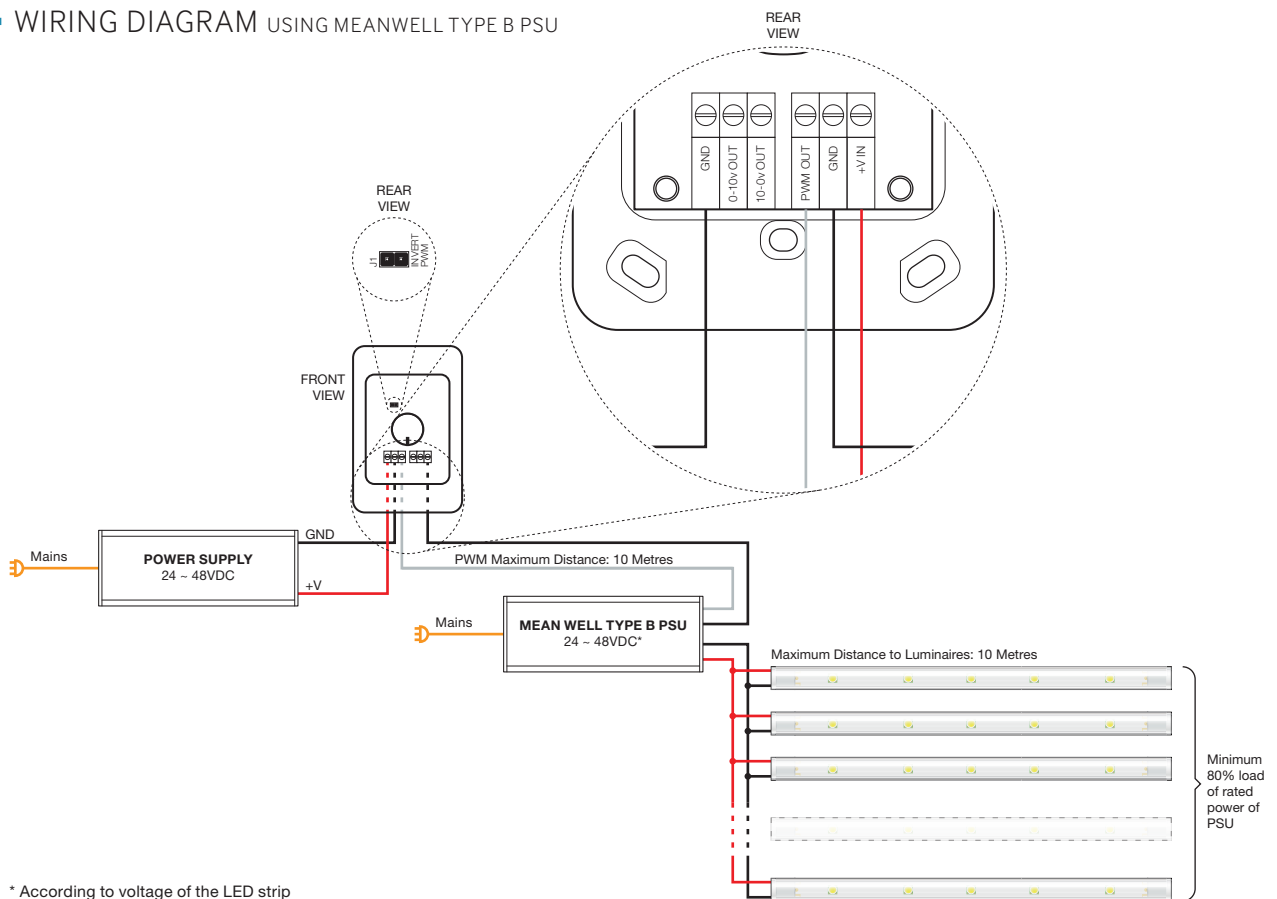
STEP 4

Clip in the facial lid onto the dimmer

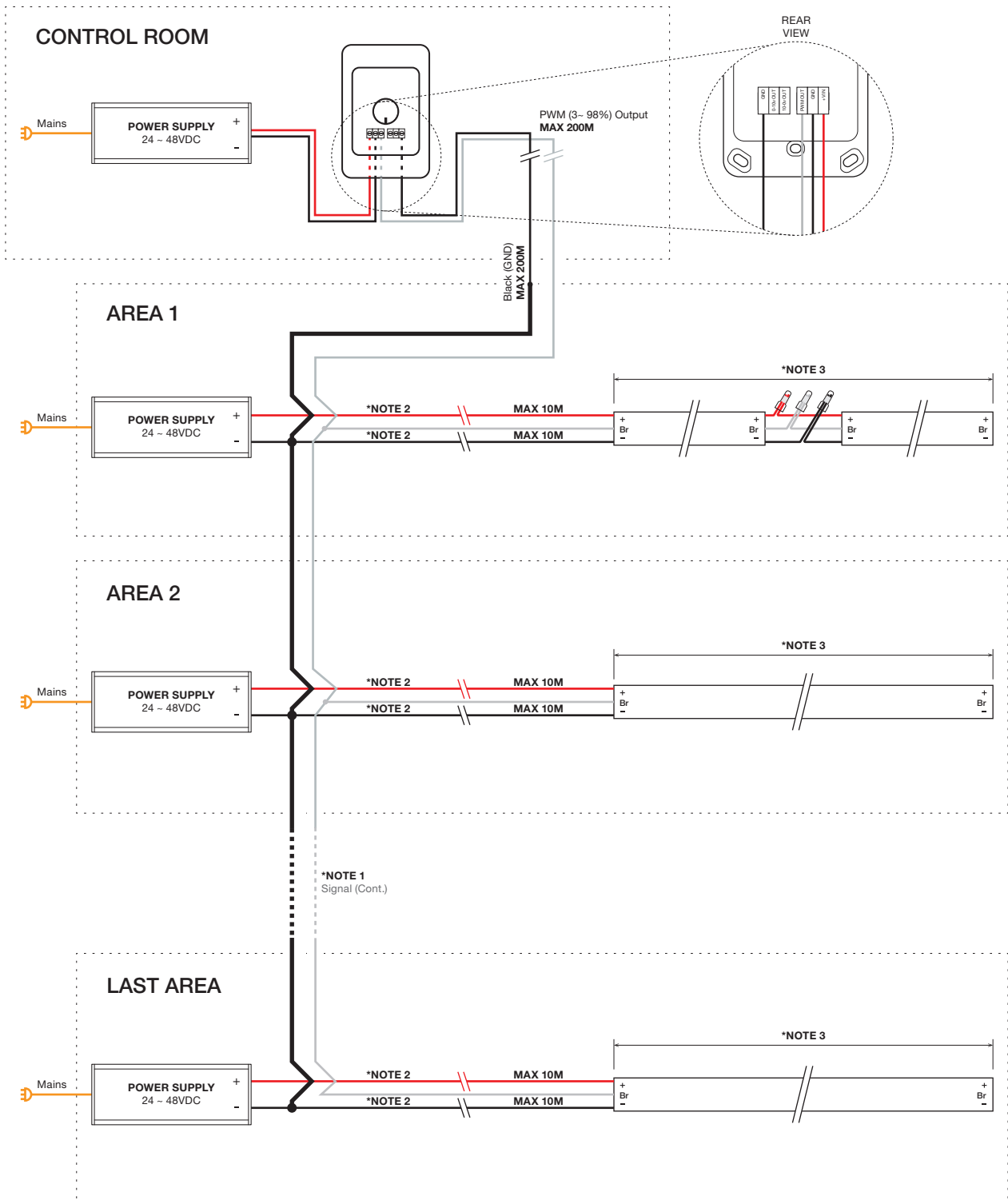
■ WIRING DIAGRAM



■ WIRING DIAGRAM USING MEANWELL TYPE B PSU



■ WIRING DIAGRAM USING SEVERAL POWER SUPPLIES



- *NOTE 1** AWG16 ~ WG22 wire only. Each Coolon Dimmer Logic can control up to **200 segments** of LED strips or 100mA. Maximum cable length of **100m** from AREA 1 to LAST AREA. Wire all common grounds. **DO NOT** connect positive terminals.
- *NOTE 2** AWG13 ~ AWG16 wire only. Do not exceed maximum length of 10m from each PSU.
- *NOTE 3** **DO NOT EXCEED** maximum single run of each product. Check individual product specification sheets for run length.