



 **COOLON**

CP12

48W / 60W **Compact LED Work Light**

CP12 sets a new benchmark for heavy duty compact LED work light performance.

The CP12 is a true representation of modern lighting evolution.

Just when everybody thought that the boundaries of LED lighting technology could not be pushed any further, CP12 has set the new benchmark of work-light performance.

Thanks to its remarkable power efficiency, the CP12 pushes the power limits to over 60 watts, delivering an astonishing amount of light in a small and robust package.

More light means greater visibility, with greater area coverage and longer distance than any other industrial work-light in the category.

Designed for use in:

- Bulldozers
- Drill Rigs
- Excavators
- Flood Lights
- Graders
- Lighting Towers
- Light Vehicles / 4WD
- Processing Plants
- Trucks
- Warehouses



Direct Retrofit

Same size, same shape, 4 times the light. CP12 was specifically created to match the physical characteristics of most factory fitted halogen work lights.



Built to Last

The CP12 is designed for the harshest environments and provides unrivaled reliability and performance, critical for demanding applications.

- Resistant to Vibration
- Impact/Shock Proof
- Chemical Resistant
- High Pressure Washable
- Unaffected by Severe Temperature Variations



COOL SURFACE TEMPERATURE

Coolon's Industrial LED fittings have a much lower surface temperature than traditional HID equivalents which prevents dirt from baking onto the luminaire. This allows for easier cleaning and will prolong the lifespan of the luminaire.



INSTANT ON/OFF

LEDs do not require warm up. Instant on to 100% output translates to no downtime, improved safety and the ability to utilize sensor switching to significantly save energy.



NO FLICKERING

LED luminaires run on constant low voltage DC power and do not produce any visible stroboscopic effects, thus reducing the strain on eyes and significantly improving safety in areas where moving machinery is present.

IP66

HIGH IP RATING - IP66

Coolon's Industrial LEDs are designed specifically to withstand the harsh conditions in mining environments. The robust design allows our LED products to be used in many different applications and are high pressure washable.



UNRESTRICTED BURNING POSITION

Coolon's LED luminaires can be positioned and oriented in any desired way without affecting the lifespan of the product. This gives greater flexibility when it comes to aiming angles and orientation.



EXTRA LOW VOLTAGE OPERATION

Our products operate on extra low voltage DC power. It is substantially safer to work with than conventional mains powered light sources.

3
YEARS

3 YEARS FACTORY WARRANTY

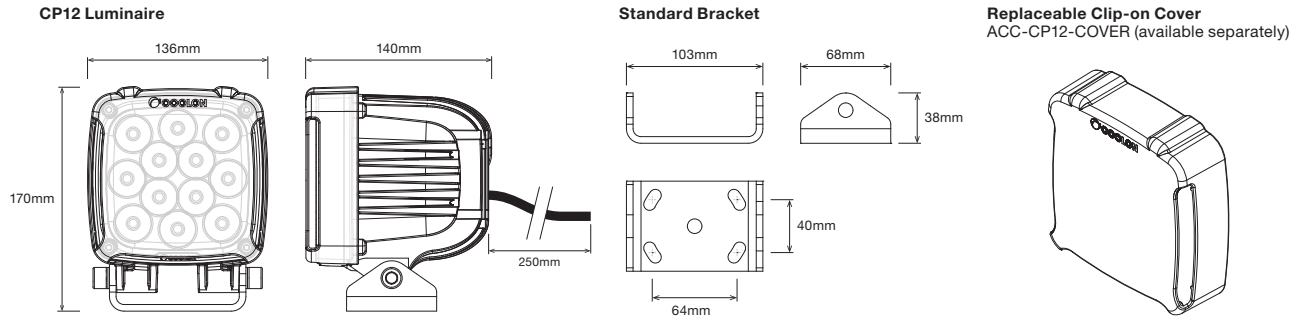
Coolon Luminaires are covered by a solid comprehensible manufacturer's warranty that covers a range of possible defects and performance parameters throughout the duration of the warranty period.



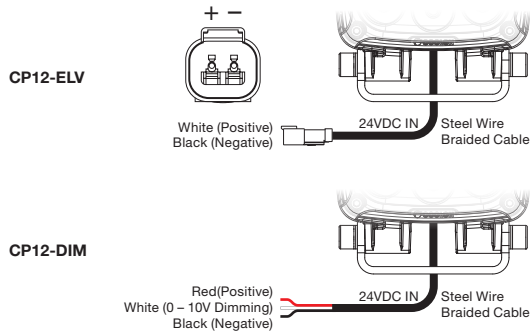
PROUDLY MADE IN AUSTRALIA

Our products are designed and manufactured in Australia. Engineered to perfection, using only the highest quality components and highly skilled labour, each luminaire is assembled and thoroughly tested to ensure that it exceeds the highest standards.

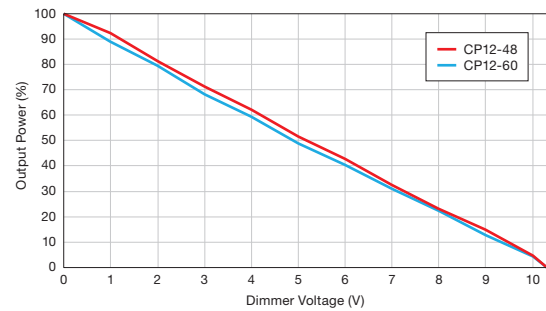
DIMENSIONS



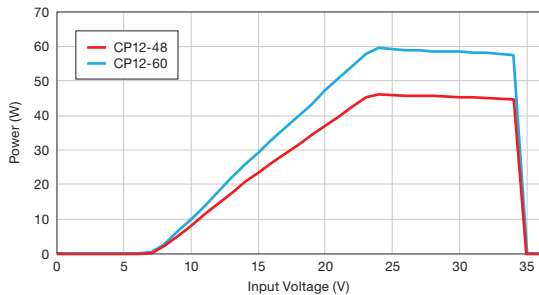
CONFIGURATION



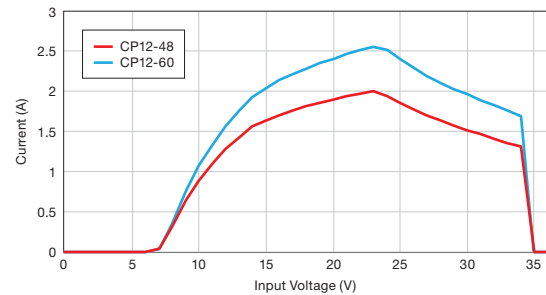
DIMMING VOLTAGE VS POWER ¹



SUPPLY VOLTAGE VS POWER ¹



SUPPLY CURRENT VS VOLTAGE ¹



¹ Reading taken while test unit operating in steady state. Ambient temperature during testing is typically 25°C. Individual unit behavior may differ due to electronic component tolerance and ambient conditions. Product parameters and application suitability shall be checked by the user prior to commissioning.

TECHNICAL SPECIFICATIONS

Product		
Model	CP12-48	CP12-60
Optical Characteristics		
Luminous Flux (Photometered)	4335lm	5409lm
Luminous Flux (LED Lumens)	6127lm	7600lm
CCT	5500 – 6900K	
CRI	>70	
Electrical Characteristics (Luminaire)		
Power Consumption	48W Typical	60W Typical
Nominal Voltage	24VDC	
Voltage Range	8 – 32VDC	
Cable Type	UL2464, 16 AWG x 2C Braid PVC, UV Resistant	
Cable Diameter	7.5mm	
Cable Length	250mm	

Environmental	
IP Rating	IP66
Impact Rating	IK09
Salt Spray Tested	Yes
Operating Temp. Range	-20 to +50°C
Thermal Management Type	Active/Continuous
Expected Lifespan	50,000 Hours to 70% Brightness
Material Composition (Body)	LM6 Aluminium Alloy (<0.1% copper content)
Material Composition (Diffuser)	High Impact/Shock Proof - Grilamid TR
Material Composition (Cover)	Grilamid TR
Material Composition (Bracket)	Stainless Steel
Angle Adjustment	Free aiming range -30° to +30°
Weight/Packaging	
Luminaire Weight	2.1kg
Bracket Weight	0.4kg
Packaging Dimensions (CP12)	140 x 175 x 160mm
Packaged Weight (CP12)	2.7kg

Warranty	
Warranty	3 years warranty as standard 5 years extended warranty optional

ILLUMINANCE AT DISTANCE

Average / Nadir. E				Diameter / Area		Polar Distribution
NOP Wide / No Optics	48W	60W	Beam Angle: 102.5°	48W	60W	
	5m	20.6 / 51.9lx	25.5 / 64.0lx	12.5m / 121.9m ²	12.5m / 121.7m ²	
	10m	5.2 / 13.0lx	6.4 / 16.0lx	24.9m / 487.6m ²	24.9m / 486.7m ²	
	15m	2.3 / 5.8lx	2.8 / 7.1lx	37.4m / 1097.2m ²	37.3m / 1095.1m ²	
	20m	1.3 / 3.2lx	1.6 / 4.0lx	49.8m / 1950.5m ²	49.8m / 1946.8m ²	
	25m	0.8 / 2.1lx	1.0 / 2.6lx	62.3m / 3047.7m ²	62.2m / 3041.9m ²	

Average / Nadir. E				Diameter / Area		Polar Distribution
MEDIUM Medium Optics	48W	60W	Beam Angle: 37.5°	48W	60W	
	5m	173.9 / 264.8lx	228.8 / 345.9lx	3.6m / 10.0m ²	3.4m / 9.1m ²	
	10m	43.5 / 66.20lx	57.2 / 86.5lx	7.1m / 40.0m ²	6.8m / 36.2m ²	
	15m	19.3 / 29.4lx	25.4 / 38.4lx	10.7m / 90.0m ²	10.2m / 81.5m ²	
	20m	10.9 / 16.6lx	14.3 / 21.6lx	13.6m / 144.9m ²	13.6m / 144.9m ²	
	25m	7.0 / 10.6lx	9.2 / 13.8lx	17.8m / 249.8m ²	17.0m / 226.4m ²	

Average / Nadir. E				Diameter / Area		Polar Distribution
NARROW Narrow Optics	48W	60W	Beam Angle: 12.5°	48W	60W	
	5m	1621.5 / 2176.1lx	2086.7 / 2783.6lx	1.1m / 0.9m ²	1.1m / 0.9m ²	
	10m	405.4 / 544.0lx	521.7 / 695.9lx	2.2m / 3.7m ²	2.1m / 3.6m ²	
	15m	180.2 / 241.8lx	231.9 / 309.3lx	3.2m / 8.3m ²	3.2m / 8.0m ²	
	20m	101.3 / 136.0lx	130.4 / 174.0lx	4.3m / 14.7m ²	4.3m / 14.3m ²	
	25m	64.9 / 87.1lx	83.5 / 111.3lx	5.4m / 23.0m ²	5.3m / 22.3m ²	

Average / Nadir. E				Diameter / Area		Polar Distribution
OVAL Oval Optics	48W	60W	Beam Angle: 13.5° x 51.5°	48W	60W	
	5m	142.1 / 453.6lx	182.1 / 574.9lx	4.8m / 18.4m ²	4.8m / 18.3m ²	
	10m	35.5 / 113.4lx	45.5 / 143.7lx	9.7m / 73.6m ²	9.6m / 73.0m ²	
	15m	15.8 / 50.40lx	20.2 / 63.9lx	14.5m / 165.6m ²	14.5m / 164.3m ²	
	20m	8.9 / 28.4lx	11.4 / 35.9lx	19.4m / 294.5m ²	19.3m / 292.2m ²	
	25m	5.7 / 18.1lx	7.3 / 23.0lx	24.2m / 460.1m ²	24.1m / 456.5m ²	

*NOTE: Beam angles subject to change without notice

ORDERING EXAMPLE

CP12 - 60 - NOP - ELV

PRODUCT TYPE OPTICS CONFIGURATION

PRODUCT	TYPE	OPTICS	CONFIGURATION
CP12	48 Power 48W	NOP Wide / No Optics	ELV Extra-low Voltage
	60 Power 60W	MEDIUM Medium Optics	DIM 3 Wires, 0 – 10V Dimming
		NARROW Narrow Optics	
		OVAL Oval Optics	

ASSOCIATED PRODUCTS

PART #	DESCRIPTION
ACC-CP12-COVER	Replaceable clip-on cover