



BLOCK 24

Flood Light





The Block 24 is equipped with the most powerful LEDs and provides a balance of power and size. Its robust design enables the Block 24 for use in the harshest environments.

Designed and manufactured in Australia using only the highest quality components, the Block 24 High Power LED Luminaire is designed specifically for industrial applications where reliability and performance are paramount.

Able to work side by side with people in the harshest of environments and is ideally suited for most situations where bulb maintenance is difficult or impossible.

Every component of the Block 24 LED luminaire has been carefully engineered to provide the most reliable performance and bring across many benefits of utilizing solid state lighting technology in industrial applications.

Block 24 LED luminaire is rated IP66 and is suitable for both indoor and outdoor use.

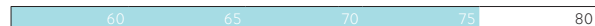
LUMINOUS FLUX

4950 lm ~ 6050 lm



POWER

75W



COLOUR TEMPERATURE

2700K ~ 6700K





POWER & SIZE

The Block 24 provides unrivaled lumen output for a luminaire of its size.

Measuring only 206mm x 230mm x 110mm the Block 24 outshines and outperforms its rivals.

BUILT TO LAST

The Block 24 is designed for the harshest environments and provides unrivaled reliability and performance, critical for demanding applications.

- Resistant to Vibration
- Impact/Shock Proof
- Chemical Resistant
- High Pressure Washable
- Unaffected by Severe Temperature Variations



LONG USEFUL OPERATING LIFE

Currently available specification from world's most reputable LED manufacturers states 50,000 hours of continuous operation at the rated current within the operating temperature range to 70% residual light output.



VARIOUS CCT & COLOUR BINNING CONSISTENCY

Product is offered in various Colour Temperatures using tighter bins.



3 YEARS FULL /SOLID WARRANTY

Coolon Luminaires are covered by a solid comprehensive manufacturer's warranty that covers a range of possible defects and performance parameters throughout the duration of the warranty period.



PROUDLY MADE IN AUSTRALIA

Our products are designed and manufactured in Australia. Engineered to perfection, using only the highest quality components and highly skilled labour, each luminaire is assembled and thoroughly tested to ensure that it exceeds the highest standards.

TECHNICAL SPECIFICATIONS

Product Code	FLD-BLOCK24
Description	Block 24
Material Composition (Body)	Aluminium Alloy
Body Finish	Anodised Black (Standard), Various Colours Available
Material Composition (Cover)	Tempered Glass (Standard), Polycarbonate (Optional)
Material Composition (Bracket)	Stainless Steel
Luminous Flux (Photometered)	4950 ~ 6050 lm
Luminous Flux (LED Lumens)	8750 lm
Correlated Colour Temperature (CCT)	2700K ~ 6200K
Nominal Voltage	24VDC
Voltage Range	12 - 35VDC
Typical Power Consumption	76.5W Typical, 78.2W Start
Typical Current	3.20 A
Colour Rendering Index (CRI)	>70
Dimmable	Yes (0-10V)
Effective Beam Angle	Refer to Polar Diagram
External Heatsink Required	Yes
Operating Temperature	Ta 30°C to +50°C
Thermal Operating	Active/Continuous
Average Lumen Maintenance @Ta 25°C	70% @ 50,000 Hours
IP Rating	IP66
Impact Rating	IK09
Cable Type	UL2464, 2Cx16 AWG +1Cx18AWG + Braid PVC, UV Resistant
Cable Diameter	O.D. 7.5mm
Cable Length	2.00M (Standard)
Luminaire Weight	3.5kg
Bracket Weight	1.0kg (FPB), 1.8kg (MPB)
Warranty	3 Years

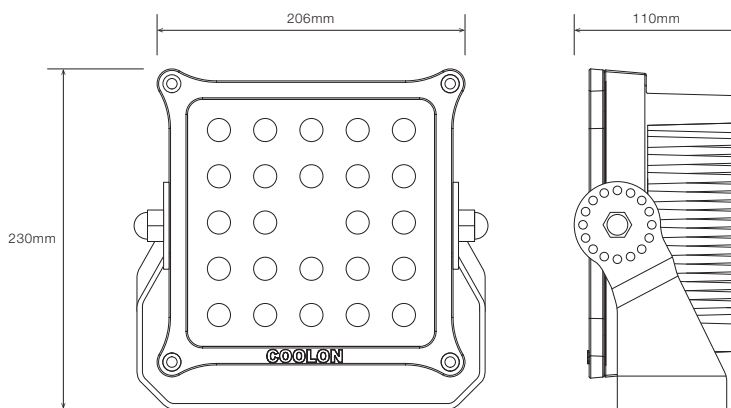
IP RATING

IP66

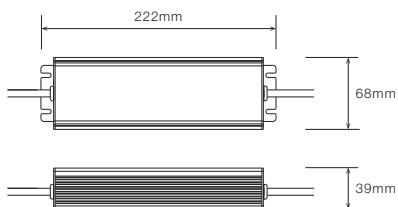
Gel filled and modified to protect against the effects of continuous immersion under pressure

■ DIMENSIONS

For final strip lengths please refer to the "Full Strip Length Variation Table"

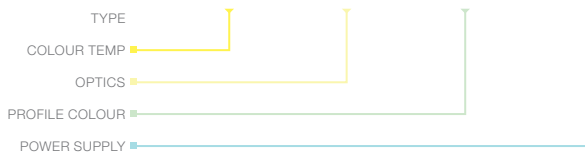


POWER SUPPLY



■ ORDERING EXAMPLE

FLD - BLOCK24 - 3.0K - L25 - WHT - NPS



■ COLOUR TEMP

2.7K	2700K
3.0K	3000K
3.2K	3200K
4.0K	4000K
5.0K	5000K

■ OPTICS

L03	6° Beam
L07	14° Beam
L25	50° Beam
O209	Oval 40° x 18° Beam
NOP	No Optics

■ PROFILE COLOUR

BLK	Black
WHT	White
CST	Custom

■ POWER SUPPLY

NPS	No Power Supply
WPS	With Power Supply

■ ACCESSORIES

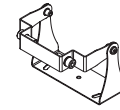
CONTROL



DMC-010-A2PWM
Analogue to PWM converter
for 0-10V dimming signal

CTR-UNI-DIMMER
Outdoor DALI Point 1
channel Driver 10A

MOUNTING BRACKET



FPB
Fixed Plant Bracket

Mobile Plant Bracket
Mobile Plant Bracket

DRIVERS



DRV-DALI-1X5A
Indoor DALI Point 1
channel Driver 5A

DRV-DALI-IP1X10A
Outdoor DALI Point 1
channel Driver 10A

POWER SUPPLY FOR OUTDOOR USE (IP67)



PWR-HLG-100-24V
Mean Well Power Supply
HLG 100W 24V IP67

PWR-HLG-240-24V
Mean Well Power Supply
HLG 240W 24V IP67

PWR-HLG-320-24V
Mean Well Power Supply
HLG 100W 24V IP67