



BLOCK 9

Flood Light





The Block 9 sets the benchmark for high power and compact LED Floodlights.

Originally designed for use on Mobile Plant machinery in mining applications, Block 9 provides unrivalled reliability and performance in Architectural exterior and interior applications.

The Block 9 is available in multiple colour temperatures, optical configurations and outputs.

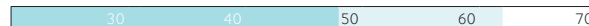
LUMINOUS FLUX

3500 lm ~ 5000 lm



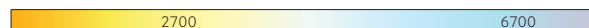
POWER

48W / 62W



COLOUR TEMPERATURE

2700K ~ 6700K





POWER & SIZE

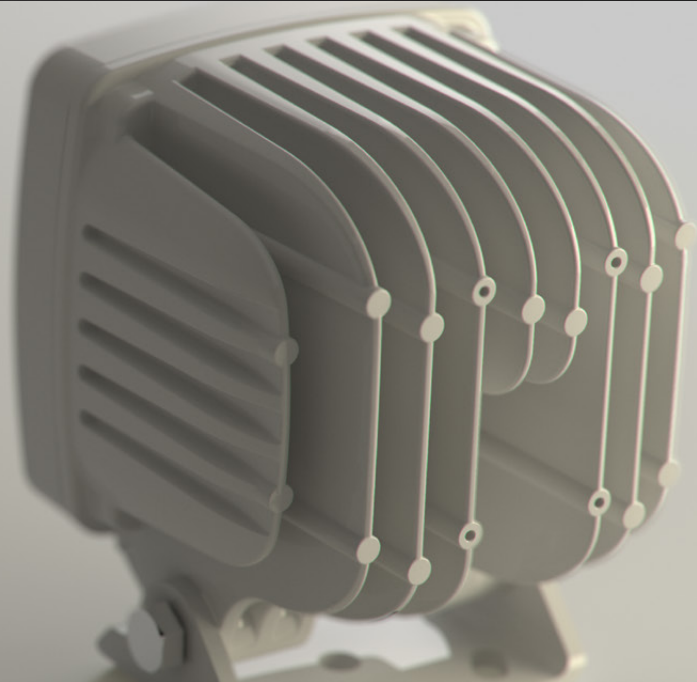
The Block 9 provides unrivaled lumen output for a luminaire of its size.

Measuring only 129mm x 165mm x 135mm the Block 9 outshines and outperforms its rivals.

BUILT TO LAST

The Block 9 is designed for the harshest environments and provides unrivaled reliability and performance, critical for demanding applications.

- Resistant to Vibration
- Impact/Shock Proof
- Chemical Resistant
- High Pressure Washable
- Unaffected by Severe Temperature Variations



LONG USEFUL OPERATING LIFE

Currently available specification from world's most reputable LED manufacturers states 50,000 hours of continuous operation at the rated current within the operating temperature range to 70% residual light output.



VARIOUS CCT & COLOUR BINNING CONSISTENCY

Product is offered in various Colour Temperatures using tighter bins.



3 YEARS FULL /SOLID WARRANTY

Coolon Luminaires are covered by a solid comprehensive manufacturer's warranty that covers a range of possible defects and performance parameters throughout the duration of the warranty period.



PROUDLY MADE IN AUSTRALIA

Our products are designed and manufactured in Australia. Engineered to perfection, using only the highest quality components and highly skilled labour, each luminaire is assembled and thoroughly tested to ensure that it exceeds the highest standards.

TECHNICAL SPECIFICATIONS

| | |
|-------------------------------------|---|
| Product Code | FLD-BLOCK9 |
| Description | Block 9 |
| Material Composition (Body) | Aluminium Alloy |
| Body Finish | Anodised Black (Standard), Various Colours Available |
| Material Composition (Cover) | Polycarbonate (Standard) |
| Material Composition (Bracket) | Stainless Steel |
| Luminous Flux (Photometered) | 2830 ~ 3356 lm |
| Luminous Flux (LED Lumens) | 5800 lm |
| Correlated Colour Temperature (CCT) | 2700K ~ 6200K |
| Nominal Voltage | 24VDC |
| Voltage Range | 12 - 31VDC |
| Typical Power Consumption | 48W Typical, 50W Start |
| Typical Current | 2.00 A |
| Colour Rendering Index (CRI) | >70 |
| Dimmable | Yes (0-10V) |
| Effective Beam Angle | Refer to Polar Diagram |
| External Heatsink Required | Yes |
| Operating Temperature | Ta 30°C to +50°C |
| Thermal Operating | Active/Continuous |
| Average Lumen Maintenance @Ta 25°C | 70% @ 50,000 Hours |
| IP Rating | IP66 |
| Impact Rating | IK09 |
| Cable Type | UL2464, 2Cx16 AWG +1Cx18AWG + Braid PVC, UV Resistant |
| Cable Diameter | O.D. 7.5mm |
| Cable Length | 0.25M (Standard) |
| Luminaire Weight | 2.3kg |
| Bracket Weight | 0.39kg (STB), 0.30kg (ARB) |
| Warranty | 3 Years |

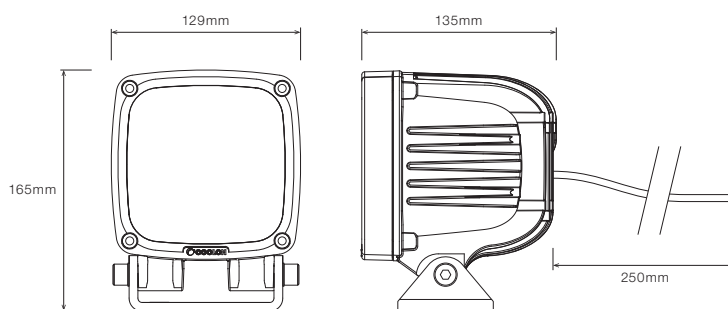
IP RATING

IP66

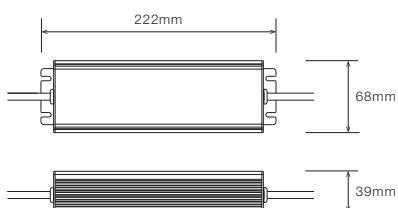
Gel filled and modified to protect against the effects of continuous immersion under pressure

■ DIMENSIONS

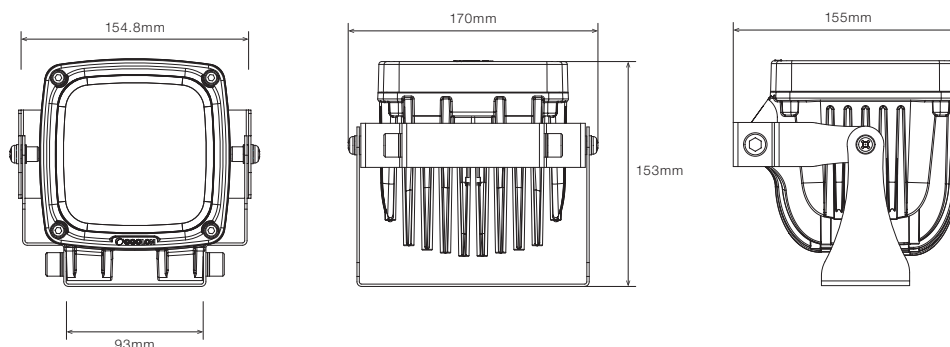
For final strip lengths please refer to the "Full Strip Length Variation Table"



POWER SUPPLY

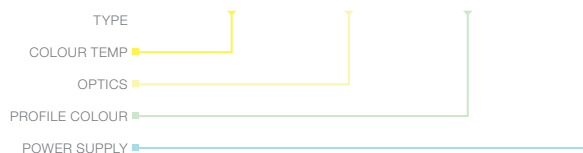


BLOCK 9 W/ MOUNTING BRACKET



■ ORDERING EXAMPLE

FLD - BLOCK9 - 3.0K - L25 - WHT - NPS



■ COLOUR TEMP

| | |
|------|-------|
| 2.7K | 2700K |
| 3.0K | 3000K |
| 3.8K | 3800K |
| 4.0K | 4000K |
| 6.2K | 6200K |

■ OPTICS

| | |
|------|---------------------|
| L07 | 14° Beam |
| L25 | 50° Beam |
| O209 | Oval 40° x 18° Beam |
| NOP | No Optics |

■ PROFILE COLOUR

| | |
|-----|--------|
| BLK | Black |
| WHT | White |
| CST | Custom |

■ POWER SUPPLY

| | |
|-----|-------------------|
| NPS | No Power Supply |
| WPS | With Power Supply |

■ ACCESSORIES

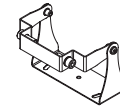
CONTROL



DMC-010-A2PWM
Analogue to PWM converter
for 0-10V dimming signal

CTR-UNI-DIMMER
Outdoor DALI Point 1
channel Driver 10A

MOUNTING BRACKET



STB
Standard Bracket

ARB
Architectural Bracket

DRIVERS



DRV-DALI-1X5A
Indoor DALI Point 1
channel Driver 5A

DRV-DALI-IP1X10A
Outdoor DALI Point 1
channel Driver 10A

POWER SUPPLY FOR OUTDOOR USE (IP67)



PWR-HLG-60-24V
Mean Well Power Supply
HLG 60W 24V IP67

PWR-HLG-100-24V
Mean Well Power Supply
HLG 100W 24V IP67

PWR-HLG-150-24V
Mean Well Power Supply
HLG 150W 24V IP67

PWR-HLG-240-24V
Mean Well Power Supply
HLG 240W 24V IP67

PWR-HLG-320-24V
Mean Well Power Supply
HLG 320W 24V IP67