



 COOLON

# FDP LED HIGHBAY

240W LED Highbay

The FDP is the most powerful, efficient and feather light LED Highbay luminaire today.

The FDP LED Highbay is designed as a direct replacement for most industry standard gas discharge lamp based highbays.

This breakthrough technology allows the FDP LED Highbay to be lightweight, powerful, yet extremely effective at dissipating heat.

#### Designed for use in:

- Maintenance Hangers
- Public Spaces
- Retail Environments
- Sports Halls
- Stores
- Warehouses
- Workshops



# Revolution in Highbay Lighting

Thanks to the revolutionary active cooling technology, the FDP Highbay is able to deliver an unprecedented amount of power to replace even the most powerful of conventional lamps. With its wide selection of optics, no roof height presents a challenge for this contender.



FDP HIGHBAY

CONVENTIONAL LED HIGHBAY

METAL HALIDE HIGHBAY

LUMINOUS FLUX	22,500 lm	12,000 lm	23,400 lm
POWER CONSUMPTION	240W	150W	400W
WEIGHT	4.6kg	11kg	7.5kg
DIMENSIONS	270mm x 250mm	400mm x 560mm	550mm x 630mm



## COOL SURFACE TEMPERATURE

Coolon's Industrial LED fittings have a much lower surface temperature than traditional HID equivalents which prevents dirt from baking onto the luminaire. This allows for easier cleaning and will prolong the lifespan of the luminaire.



## INSTANT ON/OFF

LEDs do not require warm up. Instant on to 100% output translates to no downtime, improved safety and the ability to utilize sensor switching to significantly save energy.



## NO FLICKERING

LED luminaires run on constant low voltage DC power and do not produce any visible stroboscopic effects, thus reducing the strain on eyes and significantly improving safety in areas where moving machinery is present.

L70

## LONG USEFUL OPERATING LIFE

Currently available specification from world's most reputable LED manufacturers states 50,000 hours of continuous operation at the rated current within the operating temperature range to 70% residual light output.



## UNRESTRICTED BURNING POSITION

Coolon's LED luminaires can be positioned and oriented in any desired way without affecting the lifespan of the product. This gives greater flexibility when it comes to aiming angles and orientation.



## QUALITY WHITE LIGHT W/ HIGH CRI

This luminaire emits light with a spectrum closely resembling that of a natural daylight with relatively high colour rendering index (typical CRI of between 75 – 80), enabling excellent colour differentiation.

3  
YEARS

## 3 YEARS FACTORY WARRANTY

Coolon Luminaires are covered by a solid comprehensible manufacturer's warranty that covers a range of possible defects and performance parameters throughout the duration of the warranty period.

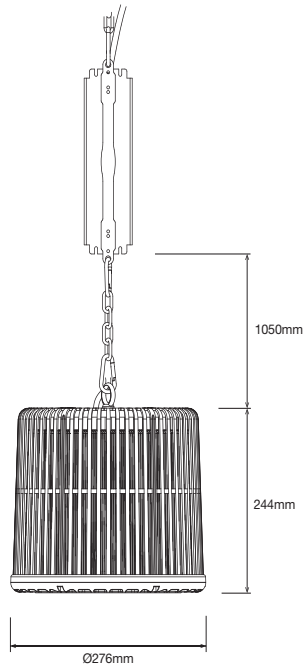


## PROUDLY MADE IN AUSTRALIA

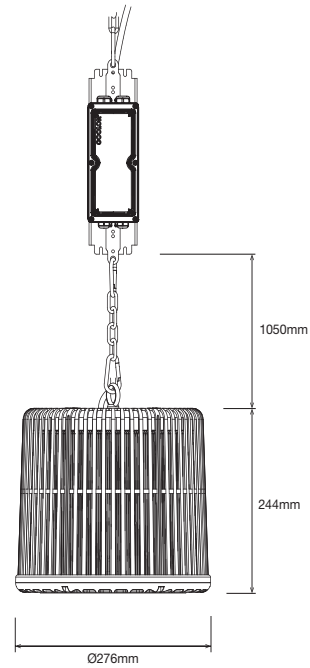
Our products are designed and manufactured in Australia. Engineered to perfection, using only the highest quality components and highly skilled labour, each luminaire is assembled and thoroughly tested to ensure that it exceeds the highest standards.

## DIMENSIONS

FDP - CDS240 - MP



FDP - CDS240 - DALI



## TECHNICAL SPECIFICATIONS

### Product

Model	FDP CDS240
-------	------------

### Optical Characteristics

Luminous Flux (Photometered)	23,060 lm
Luminous Flux (LED Lumens)	26,470 lm
CCT	5500K ~ 6900k
CRI	>70

### Electrical Characteristics (Luminaire & Power Supply)

Power Consumption	240W
Nominal Voltage	230VAC
Voltage Range	90 - 305VAC / 127 - 431 VDC
Frequency Range	47- 63Hz
Power Factor	>0.95 / 230VAC
Leakage Current	<0.75mA / 277VAC
Supply Type	Direct Mains      DALI Control
Cable Type	Standard 3 Core Flex w/ Molded 3 pin AU Plug
Cable Diameter	7mm
Cable Length	1.2m

### Environmental

IP Rating	IP55
Operating Temp. Range	-20 ~ +40°C
Thermal Management Type	Active/Continuous
Expected Lifespan	50,000 Hours to 70% Brightness
Material Composition (Body)	PVC Protective Cover / Copper Alloy Heat Sink
Material Composition (Cover)	Protective Polycarbonate Clear Cover
Material Composition (Mount)	Steel Chain (~1m Long)

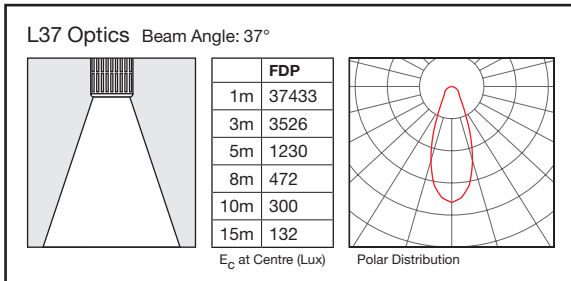
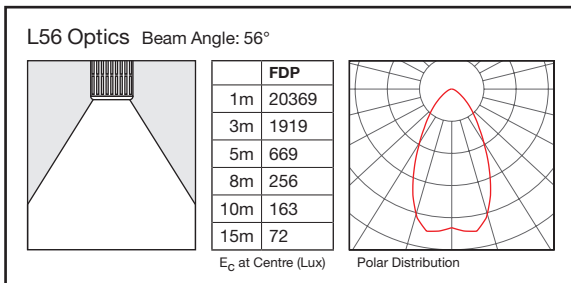
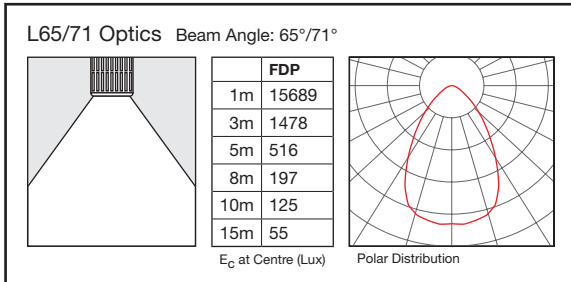
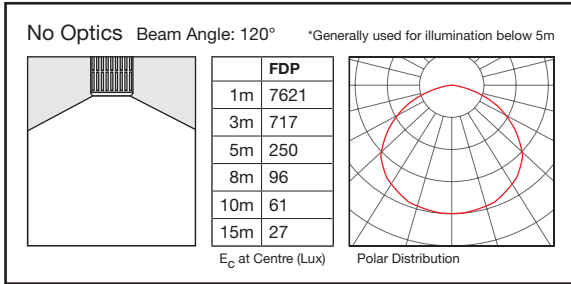
### Weight/Packaging

Luminaire Weight	4.9kg inc Power Supply    5.6kg inc Power Supply
Packaging Dimensions	340 x 340 x 350mm
Packaging Weight	6.7kg                                      7.4kg

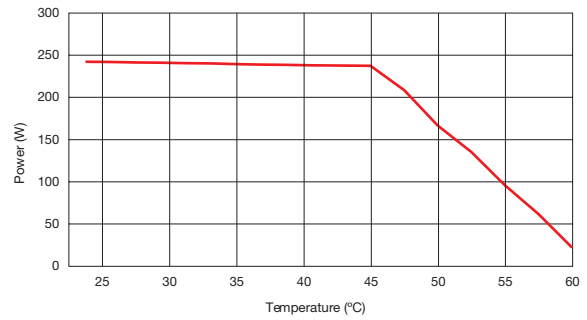
### Warranty

Warranty	3 Years
----------	---------

## ILLUMINANCE AT DISTANCE



## AMBIENT TEMPERATURE VS POWER



## ORDERING EXAMPLE

**FDP - CDS240 - NOP - HKM - MP**

PRODUCT

TYPE

OPTICS

MOUNTING

SUPPLY OPTION

PRODUCT	TYPE	OPTICS	MOUNTING BRACKET	SUPPLY OPTION
FDP	CDS240 Cylindrical Suspended	NOP No Optics	HKM Hook Mount	MP Mains Powered
		L71 71° Beam Angle		DALI DALI Controlled
		L56 56° Beam Angle		
		L37 37° Beam Angle		