

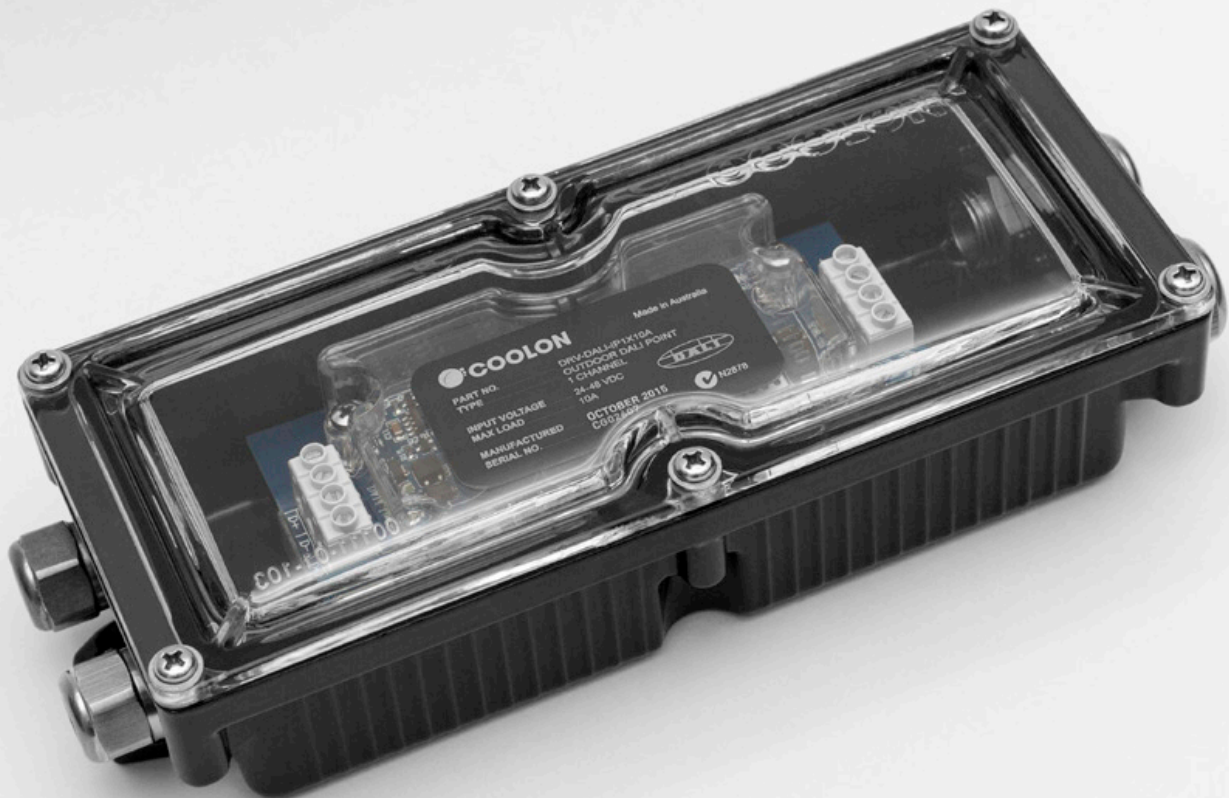


DALI POINT IP

DALI To 10 Amps 1 Channel Outdoor LED Driver

Coolon DALI Point IP is the world's most reliable DALI to PWM outdoor driver for architectural applications. Intelligent dimming solution for a wide range of LED luminaires and applications. Designed for maximum performance in a robust and easy to mount enclosure.

Use DALI Point IP to interface between a remote standard DALI source and up to 10Amps constant voltage LED fittings. The lights and external power supply are conveniently connected using screw terminals on the output side. Input and output screw terminals are also provided in the interface side for DALI bus.



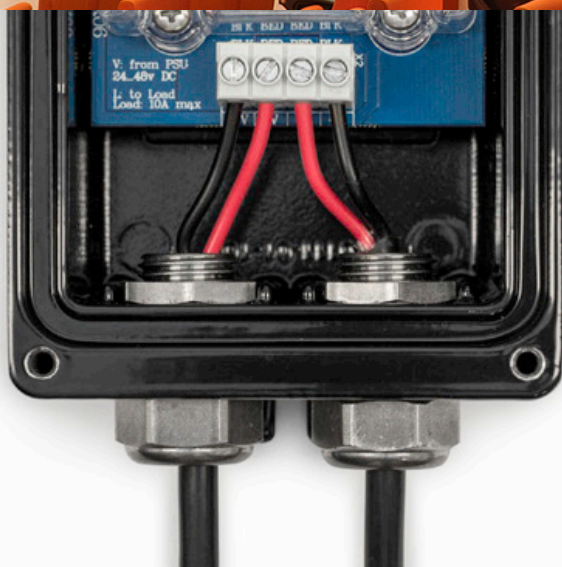
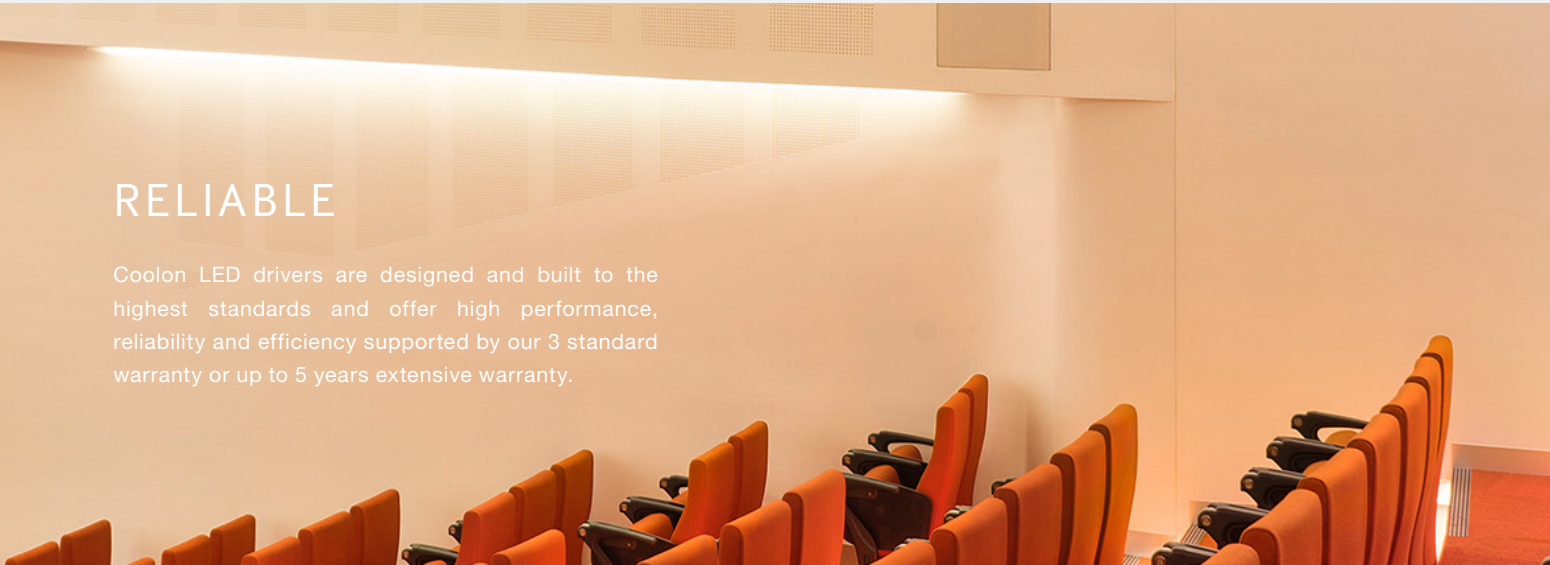


DURABLE

DALI Point IP driver is designed to suit outdoor DALI controlled LED installations. Robust housing design, suitable for inclement weather.

RELIABLE

Coolon LED drivers are designed and built to the highest standards and offer high performance, reliability and efficiency supported by our 3 standard warranty or up to 5 years extensive warranty.



SIMPLE

Easy wiring using cable glands and screw terminals, making on-site installations free of specialized tools or crimping.

CONVENIENT

It will turn a wide variety of outdoor LED luminaires into a remote dimmable fitting via DALI input and PWM output. Easy to mount and highly capable, DALI Point IP drives up to a 10 Amp load.



TECHNICAL SPECIFICATIONS

Product Code	DRV-DALIPOINT-IP-1X10A
Description	DALI 10 To Amps 1 Channel Outdoor LED Driver
Device Type	Standard DALI input, open drain constant voltage output (suitable for constant voltage LED Lights without dedicated brightness control line)
Control Protocol	DALI Standard Compliant
Solid State Output	MOSFET, Open drain configuration
PWM Frequency	242 Hz
Dimming Range	1 – 100%
Load/ Supply Voltage	24 – 48VDC
Power Consumption	0.25W
Load Voltage	24 – 48VDC
Max Load Current	10A
Enclosure	Aluminium die-cast / polycarbonate UV stable
IP Rating	IP65
Working Temperature	10 – 60°C
Connection	Screw terminals

APPLICATIONS

DALI Point IP can be used to remotely control a variety of Coolon LED luminaires, yet is also suitable for most constant voltage LED products. Most popular applications are:

Architectural Outdoor Lighting	Commercial Outdoor Lighting	Façades
Street and Outdoor Lighting	Tough Environments	

COMPATIBILITY

Suitable to use with the following Coolon Products:

Aris UG	Max Mini UG	Multo
Multo HD	Multo X2	Recess 30
Slim		

FEATURES



Fully protected against dust.
Protected against water jets from all directions.

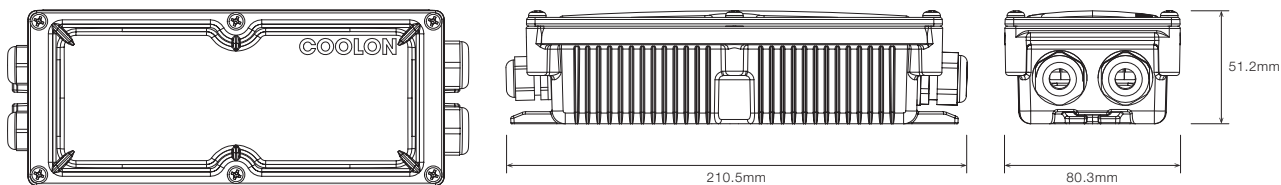


Coolon Controllers are covered by a solid comprehensible 3 year manufacturer's warranty.

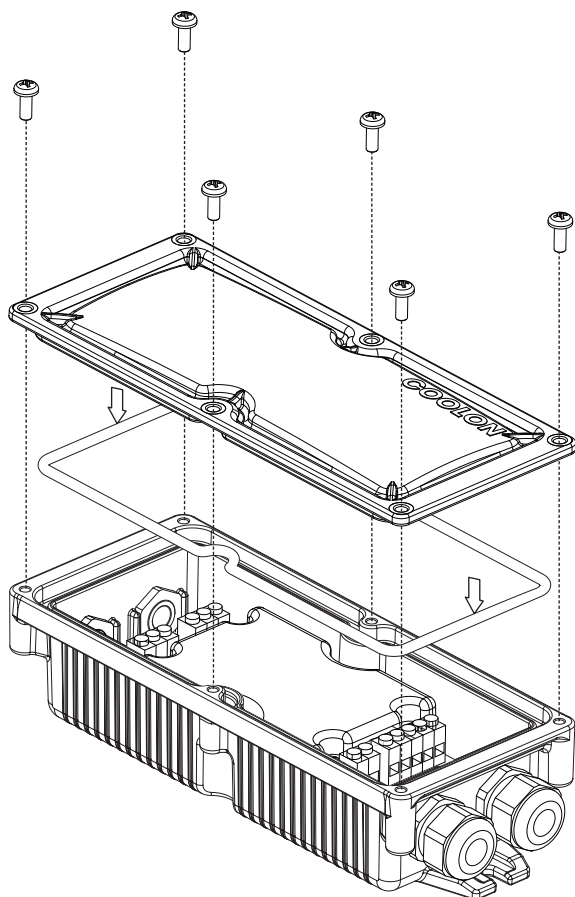


Our products are designed and manufactured in Australia to ensure the highest standards.

▪ DIMENSIONS

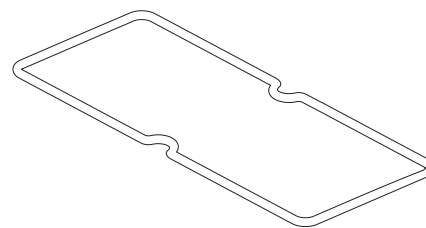


▪ INSTALLATION INSTRUCTIONS



STEP 1

Ensure seal is seated properly in the groove of the base.



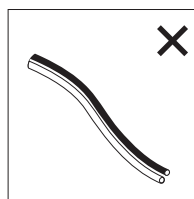
STEP 2

Screw down cover using 6 screws.

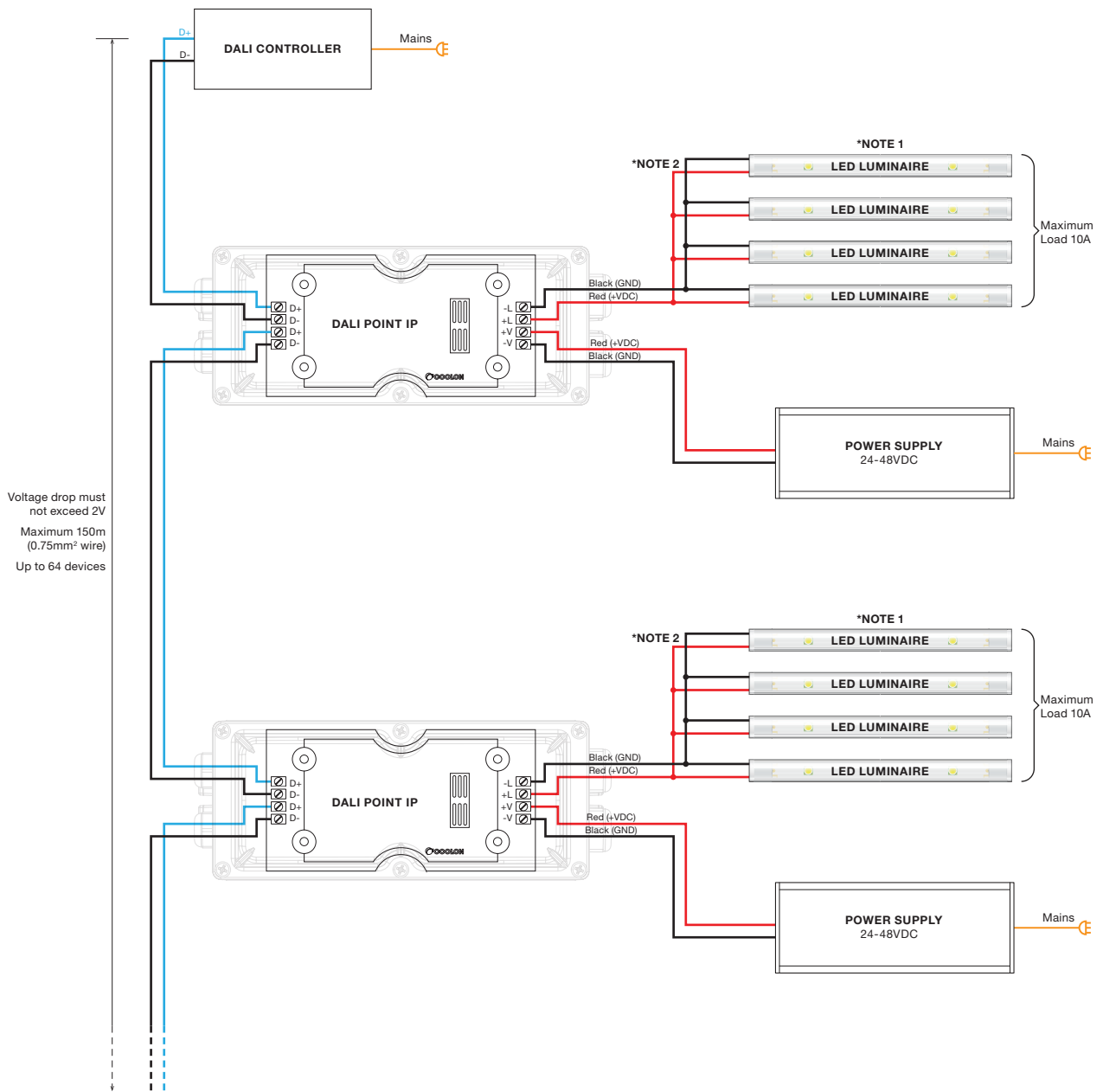


STEP 3

The enclosure becomes IP65 when the cable glands are sealed.



■ WIRING DIAGRAM



- *NOTE 1 DO NOT EXCEED maximum single of each luminaire check individual product specifications for run length.
- *NOTE 2 Maximum overall distance from power supply to strips **MUST NOT EXCEED** 15 metres if AWG13 or 1.83mm² cable is used.