

SORAA LED MR16 6W



OUTPUT RANGE: VIVID SERIES	290 - 310 lumen; CRI-95, R9>90
OUTPUT RANGE: BRILLIANT SERIES	355 - 375 lumen; CRI-80
BEAM ANGLE RANGE	25°, 36°
COLOR TEMPERATURE RANGE	2700K, 3000K
APPLICATION	Halogen replacement for indoor & outdoor applications

- 12VAC
- GU-5.3
- DIM
- IR
- UV
- Hg
-

POINT SOURCE OPTICS

Exceptional beam control with smooth uniform beams
Single light source, single crisp shadow

VP₃ VIVID COLOR AND VP₃ NATURAL WHITE

VIVID series provides accurate color rendering across the visible spectrum from 400nm to 700nm, CRI-95, R9>90
Accurate white rendering based on >70% excitation of Optical Brightening Agents with emission between 400nm & 440 nm

ENERGY EFFICIENCY AND LONG LIFE

85% more energy efficient than standard halogen lamps
Typical payback of one year or less
Rated lifetime of 35,000 hours. Three year warranty

CERTIFICATIONS

UL/CUL Class 2 and non-Class 2, FCC Title 47 Part 15B, RoHS, CE

HIGHLY COMPATIBLE

Thermally and geometrically compatible with standard fixtures

Suitable for fully enclosed fixtures per UL 1993. Can be used with front glass cover

Suitable for damp locations per UL

Works with trailing edge and leading edge phase cut dimmers, 12V AC magnetic and electronic transformers and 12V DC transformers (see www.soraa.com/resources)

INTENDED USE AND APPLICATIONS

Intended for use in MR16 compatible recessed downlights, track lighting and other indoor and outdoor applications

Soraa lamps are designed to safely turn down in any thermal environment not conducive to minimum airflow or proper ventilation

GENERAL SPECIFICATIONS

Form Factor

Width: 50.1mm (1.97")
Height: 45.5mm (1.79")
Weight: 47g

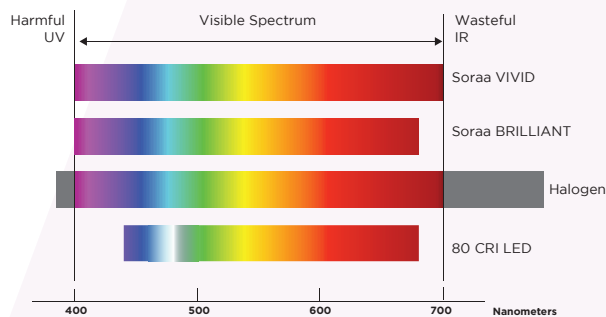
Operating Temperature

Minimum: -40°C (ambient)
Typical: 60°C - 70°C (base)
Maximum: 80°C (base)

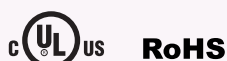
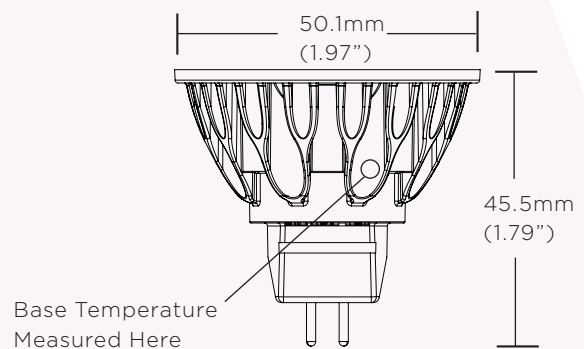
Electrical

Wattage: 6W
Power factor: 0.92
Voltage: 12V +/- 1.2V
Dimmable to < 20%

COLOR RENDERING



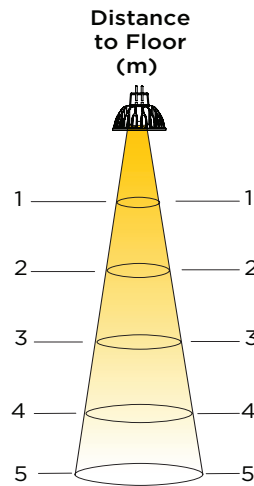
DIMENSIONS



SORAA LED MR16 6W

BEAM DIAGRAM

Narrow Flood 25°		
Beam Dia at 50% Intensity (m)	Field Dia at 10% Intensity (m)	Lux (% of Intensity)
0.4	0.7	100%
0.9	1.5	25%
1.3	2.2	11%
1.8	2.9	6%
2.2	3.6	4%



Flood 36°		
Beam Dia at 50% Intensity (m)	Field Dia at 10% Intensity (m)	Lux (% of Intensity)
0.6	1.1	100%
1.3	2.2	25%
1.9	3.3	11%
2.6	4.3	6%
3.2	5.4	4%

Note: Lux may be calculated by multiplying the peak Intensity of the desired model number by the percentage in the tables above

SPECIFICATIONS BY MODEL NUMBER*

Model Number	Product Code	CCT (K)	Beam Angle (°)	Field Angle (°)	Peak Intensity	Total Flux (Lm)	Efficacy (Lm/W)	90° Lumens	CRI/R9	White Point (McA)	EEI ***
SORAA VIVID SERIES											
SM16-06-25D-927-03-S3	01237	2700	25	40	1600	290	48	275	95/95	3	A
SM16-06-36D-927-03-S3	01249	2700	36	57	750	290	48	265	95/95	3	A
SM16-06-25D-930-03-S3	01241	3000	25	40	1710	310	52	290	95/95	3	A
SM16-06-36D-930-03-S3	01253	3000	36	57	810	310	52	285	95/95	3	A
SORAA BRILLIANT SERIES											
SM16-06-25D-827-03-S3	01235	2700	25	40	1960	355	59	335	80/>0	3	A
SM16-06-36D-827-03-S3	01247	2700	36	57	930	355	59	325	80/>0	3	A
SM16-06-25D-830-03-S3	01239	3000	25	40	2070	375	62	355	80/>0	3	A
SM16-06-36D-830-03-S3	01251	3000	36	57	980	375	62	345	80/>0	3	A

*Specifications are at stable warm operating conditions (25°C ambient) **Energy Star Minimum ***Energy Efficiency Index
 CCT = Correlated Color Temperature CRI = Color Rendering Index (Ra-8) White Point = White Point Accuracy in McA step

SAFETY NOTE ON HEAT

Although Soraa's lamps operate at cooler temperatures than halogen lamps, it is recommended that gloves be worn when handling bare lamps that have been energized.

Information and specifications subject to change. SM16 6W Rev 1 4.30.15
Soraa Inc. Unit 1 Chelsing House, Mead Lane, Hertford, Hertfordshire SG13 7AW, United Kingdom +44 (0)1992 535053 www.soraa.com